



Installation Instruction fro Models: FR-4

The unit is fully assembled and does not require any additional parts except for connection to main power. Contact factory if any parts are loose or missing.

IMPORTANT SAFETY INSTRUCTIONS

DANGER – RISK OF SHOCK – DISCONNECT POWER BEFORE INSTALLATION

READ CAREFULLY BEFORE INSTALLING FIXTURE. RETAIN THESE INSTRUCTIONS FOR FUTURE REFERENCE.

THIS PRODUCT MUST BE INSTALLED IN ACCORDANCE WITH THE APPLICABLE INSTALLATION CODE BY A PERSON FAMILIAR WITH THE CONSTRUCTION AND OPERATION OF THE PRODUCT AND THE HAZARDS INVOLVED.

CONSULT A QUALIFIED ELECTRICIAN TO ENSURE CORRECT BRANCH CIRCUIT CONDUCTOR

WARNING – Risk of fire or electric shock. Luminaire wiring and electrical parts may be damaged when drilling for installation of LED retrofit kit. Check for enclosed wiring and components.

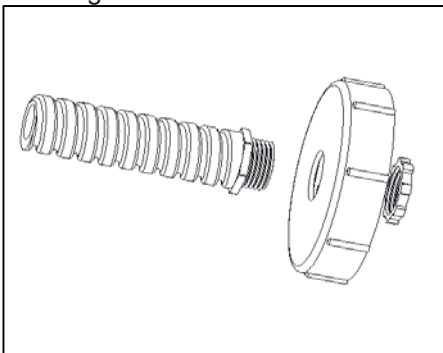
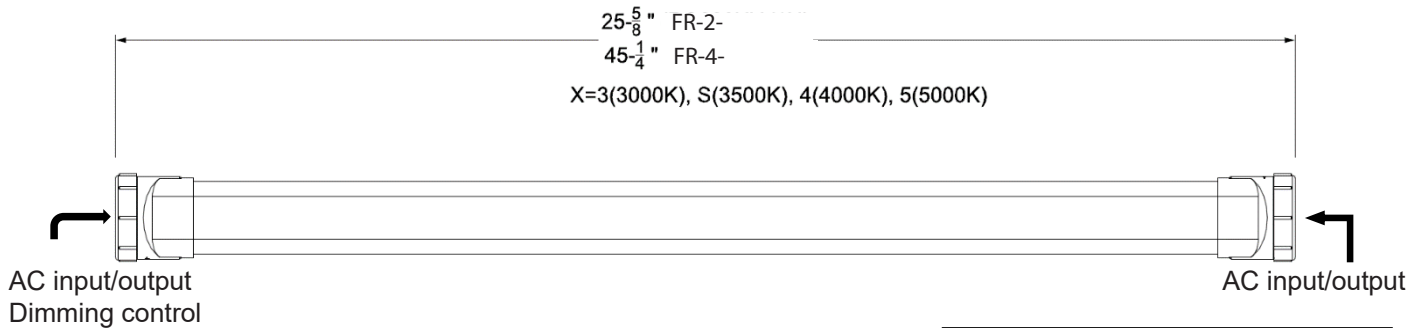
WARNING – Risk of fire or electric shock. LED Retrofit Kit installation requires knowledge of luminaires electrical systems. If not qualified, do not attempt installation. Contact a qualified electrician.

WARNING – Risk of fire or electric shock. Install this kit only in luminaires that have the construction features and dimensions shown in the photographs and/or drawings and where the input rating of the retrofit kit does not exceed the input rating of the luminaire.

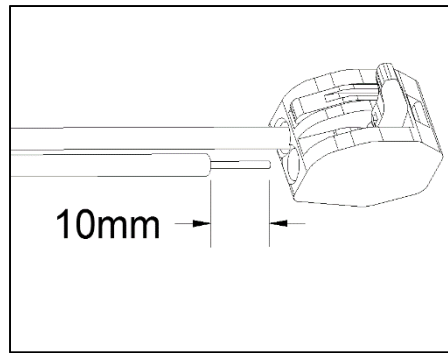
Do not make or alter any open holes in an enclosure of wiring or electrical components during kit installation.

WARNING – To prevent wiring damage or abrasion, do not expose wiring to edges of sheet metal or other sharp objects.

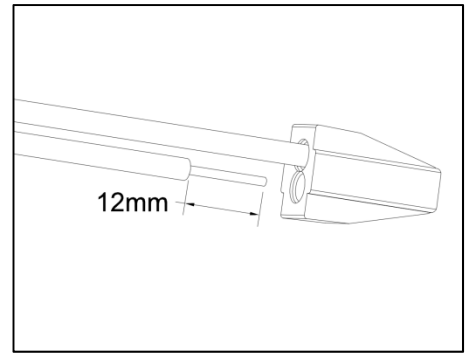
NOTE: Install this product only in dry or damp locations. Do not install in wet locations.
Do not install if product is damaged.



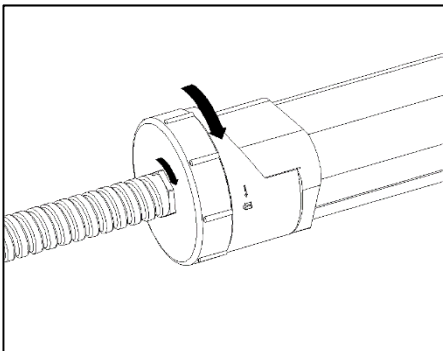
1. Connect the cover to 1/2" conduit. (watertight conduit fittings to keep the installation suitable for wet locations.)



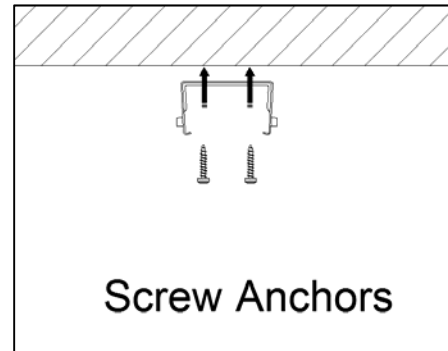
2. Insert L/N/G wires to CAGE CLAMP connectors.
Black → Line
White → Neutral
Green → Ground



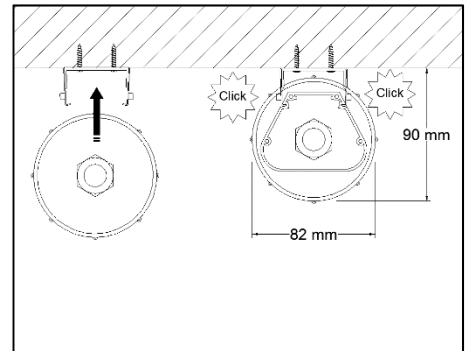
3. Insert DIM+/- wires to PUSH WIRE connectors.(optional)
VIOLET → DIM+
GREY → DIM-



4. Tighten the end cap clockwise.
Tighten the conduit clockwise.



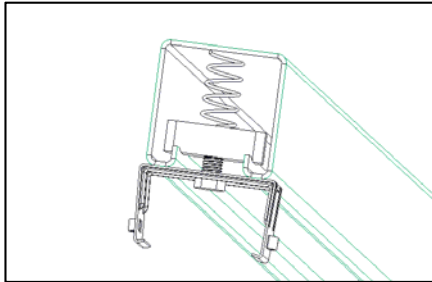
5. Mount the brackets to ceiling by proper screw anchors and fasteners.



6. Push the luminaire upward toward the brackets and make sure the luminaire is fixed well after "click".

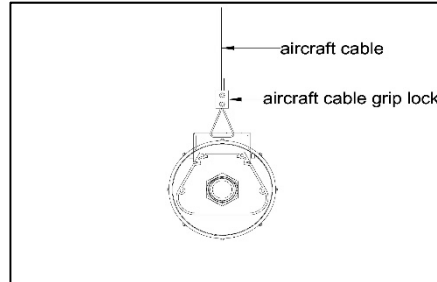
INSTALLATION OPTIONS:

- Mounted on Unistrut Metal Framing System



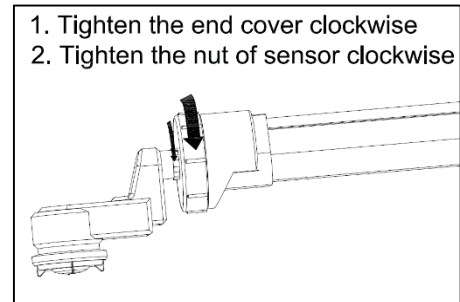
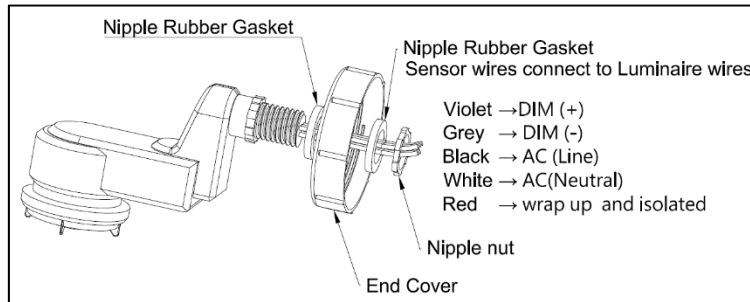
Combine with Unistrut spring nut, the bracket can be mounted on Unistrut Metal Framing System

- Using aircraft cable to suspend the bracket



Aircraft cable crosses the hole in the bracket, and clipped by aircraft cable grip lock.

- Combine with (WATTSTOPPER/FSP-2XB) PIR Occupancy Sensor



Connect to WATTSTOPPER sensor to adjust high/low dimmed light levels. (without cutoff function)

45 degree mounting bracket accessory PN#- FG-FR-00002

