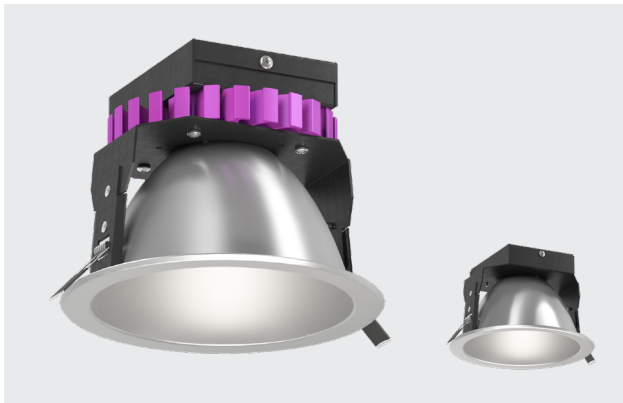


PROJECT:	SPECIFIER:	TYPE:	QTY:	DATE:
1	2	3	4	5
6	7	8	9	10
11				



TECH OPTIONS



DESCRIPTION

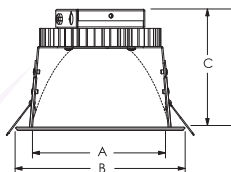
Specification grade downlight with aluminum alloy primary reflector available in wide range of finishes. Open trim with variety of field changeable beam distributions and impressive high output options available up to 8000 lm for tall ceilings. Inherently protected luminaire with IC and non-IC options available. Thermal protection in case of improper insulation use. Extruded aluminum anodized heat sink. Positive retention springs allow for easy installation and prevent sagging.

FEATURES

- Housing & Trim:** aluminum, anodize and paint finish options
- Cutout:** round
- Optic:** open trim with variety of optics available; field changeable
- Beams:** narrow regress optic, medium regress optic, wide regress optic, asymmetric wallwash, extra wide
- Lumen Output (nominal):** up to 7700+ lm, 110 lm/W
- Mounting:** new construction, remodeler, and IC housing box
- Heat Sink:** extruded anodized aluminum
- LED:** Tunable White, Warm Dim, Static white CRI 90+ & 95+, RGBW
LED Lumen Maintenance: L70 > 50,000hrs

DIMENSIONS

- Aperture (A):** 5.75" Ø
- Flange (B):** 7.15" Ø
- Height (C):** 5.76" – 8.12"
- Min. Ceiling Opening:** 6.3" Ø
- Ceiling Thickness:** ½" – 2" thk



WARRANTY 5 Year Limited Warranty (Covers Standard Components)

RATINGS & CERTS

Made in USA with Global Components
Damp Location Rated, Wet Location Rated



1: TYPE

RB6-RD Recessed Downlight
RB6-RDW Recessed Downlight, Wet Location

2: LED COLOR & CRI

WD90-3018K* Warm Dim 3000-1800K 90+	SW90-30K 3000K Static White 90+
WD90-4027K* Warm Dim 4000-2700K 90+	SW90-35K 3500K Static White 90+
RGBWT90* Tunable RGB + Tunable White 6500-1800k 90+	SW90-40K 4000K Static White 90+
SW80-27K 2700K Static White 80+	SW95-27K 2700K Static White 95+
SW80-30K 3000K Static White 80+	SW95-30K 3000K Static White 95+
SW80-35K 3500K Static White 80+	SW95-35K 3500K Static White 95+
SW80-40K 4000K Static White 80+	TW90-4018K* Tunable White 4000-1800K 90+
SW80-50K 5000K Static White 80+	TW90-6527K* Tunable White 6500-2700K 90+
SW90-27K 2700K Static White 90+	

*3000lm Max Output

3: LUMENS

*DIMA1 max output.
See page 2 LED Power Info for chip-specific lumens

07LM 750 lm	40LM* 4000 lm
10LM 1000 lm	50LM* 5000 lm
15LM 1500 lm	60LM 6000 lm
20LM 2000 lm	70LM 7000 lm
30LM 3000 lm	80LM 8000 lm

4: VOLTAGE

U 120-277Vac
LV Low Voltage for Remote Driver

5: DIMMING / DRIVER

Leading and trailing edge dimming at 120Vac only

		SW	WD	TW	RGBTW
DIMA1¹	0-10V + leading and trailing edge (phase dim at 120Vac only)	✓	✓	✗	✗
10V1¹	1% dimming 0-10V	✓	✓	✗	✗
DMX1¹	1% dimming DMX RDM512	✓	✓	✗	✗
DMXZ1¹	0.1% dimming DMX RDM512	✓	✓	✓	✓
ELDVZ1¹	0.1% dim-to-dark 0-10V eldoLED SOLOdrive	✓	✓	✗	✗
ELDVTWZ1²	0.1% dimming 0-10V two channel tunable white eldoLED	✗	✗	✓	✗
ELDA1¹	1% dimming DALI2 DT6 eldoLED ECOdrive	✓	✓	✗	✗
ELDAZ1¹	0.1% dim-to-dark DALI2 DT6 eldoLED SOLOdrive	✓	✓	✗	✗
ELDATWZ1²	0.1% dim-to-dark DALI2 DT8 tunable white eldoLED	✗	✗	✓	✗
LDE1¹	1% dim Lutron EcoSystem Soft-on & Fade Black	✓	✓	✗	✗
LDEZ1¹	0.1% dim Lutron EcoSystem Soft-on & Fade Black (20W max)	✓	✓	✗	✗
L3D¹	1% dim Lutron 3-wire Soft-on & Fade Black	✓	✓	✗	✗
LD2T^{1,2}	1% dim Lutron DALI2 DT8 Tunable White (20W max)	✓	✓	✓	✗
AWN10V1¹	1% dim Lutron Athena Wireless node 0-10V	✓	✓	✗	✗
AWNDA1^{1,2}	1% dim Lutron Athena Wireless node Dali-2	✓	✓	✓	✗
CAS^{1,2,3}	Casambi Wireless Bluetooth	✓	✓	✓	✓

¹Single channel LED including static white and warm dim emissions

²Two channel LED including tunable white emissions

³Multiple 3+ channel LED including tunable RGBW + tunable/static white emissions

*Custom profiles available see install instructions for details, 16-bit DMX available upon request

6: OPTIC

*Extension range min. 14-24" max.

BN 25° TIR	BXW 90°
BM 35° TIR	BAWW AsymmetricWallwash
BW 60° TIR	

7: REFLECTOR FINISH

AHZ Clear Haze Anodize	AGH Graphite Anodize
PWH White Matte Paint	ABR Bronze Anodize
PBK Black Matte Paint	AWE Wheat Anodize
ABK Black Anodize	AMI Anti-Microbial White

8: TRIM FINISH

MT Match Reflector	BK Black
WH White	

9: IC RATING (OPTIONAL)

IC Insulated ceiling
*Enclosed box required; contact factory for remodeler IC options; Max Lumens are limited

10: ACCESSORY

*Code compliant with all U.S. requirements with applicable controls

HB* Ceiling frame with hanger bars	
HBH Ceiling frame with hanger bars & butterfly bracket kit, extendable	
EN Enclosed box with ceiling plate & bars	
BB4 Battery Backup 4W for 90 mins	
BB8 Battery Backup 8W for 90 mins	
GOR Adapter Goof Ring	

11: CONTROL

VIVE Lutron Vive	AIRNL Acuity nLight Air
ANL Acuity nLight	ENT Enlighted

LED POWER INFO Insulated ceiling (IC) rating up to 30W / ~3000 lm IC rated

Static White LED 80+ CRI @ 3000K (nominal)

Ordering Code	Lumens, Nominal Delivered	Input Power, Nominal	Efficacy, Nominal
10LM	1,061 lm	9.83W	108 lm/W
15LM	1,486 lm	13.76W	108 lm/W
21LM	2,130 lm	19.32W	110.3 lm/W
30LM	2,982 lm	27.05W	110.3 lm/W
43LM	4,260 lm	38.64W	110.3 lm/W
60LM	5,964 lm	54.09W	110.3 lm/W
70LM	6,815 lm	61.82W	110.3 lm/W
80LM	7,667 lm	69.55W	110.3 lm/W

PerfectWhite LED 90+ CRI @ 3000K (nominal)

Ordering Code	Lumens, Nominal Delivered	Input Power, Nominal	Efficacy, Nominal
09LM	924 lm	13.50W	68.4 lm/W
13LM	1,347 lm	19.29W	69.8 lm/W
19LM	1,886 lm	27.01W	69.8 lm/W
27LM	2,694 lm	38.58W	69.8 lm/W

Warm Dim LED 92+ CRI @ Full Intensity (nominal)

Ordering Code	Lumens, Nominal Delivered	Input Power, Nominal	Efficacy, Nominal
09LM	900 lm	14.36W	62.6 lm/W
12LM	1,263 lm	20.17W	62.6 lm/W
18LM	1,806 lm	28.24W	63.9 lm/W
26LM	2,580 lm	40.34W	63.9 lm/W

Lumenetix White LED 90+ CRI @ 4000K

Efficacy	Lumens Delivered	Input Power	Efficacy
08LM	840 lm	20.2W	41.5 lm/W
14LM	1360 lm	33.7W	40.3 lm/W
21LM	2080 lm	56.2W	37 lm/W
35LM	3480 lm	67.4W	51.6 lm/W

Static White LED 90+ CRI @ 3000K (nominal)

Ordering Code	Lumens, Nominal Delivered	Input Power, Nominal	Efficacy, Nominal
09LM	899 lm	9.83W	91.4 lm/W
13LM	1,258 lm	13.76W	91.4 lm/W
18LM	1,803 lm	19.32W	93.3 lm/W
25LM	2,525 lm	27.05W	93.3 lm/W
36LM	3,607 lm	38.64W	93.3 lm/W
50LM	5,049 lm	54.09W	93.3 lm/W
60LM	6,131 lm	65.68W	93.3 lm/W

Sunlike LED 97 CRI @ 3000K (nominal)

Ordering Code	Lumens, Nominal Delivered	Input Power, Nominal	Efficacy, Nominal
07LM	706 lm	10.06W	70.2 lm/W
10LM	988 lm	14.08W	70.2 lm/W
14LM	1,425 lm	19.89W	71.7 lm/W
20LM	1,995 lm	27.84W	71.7 lm/W
28LM	2,867 lm	40.00W	71.7 lm/W

Tunable White LED 90+ CRI @ Cool CCT (nominal)

Ordering Code	Lumens, Nominal Delivered	Input Power, Nominal	Efficacy, Nominal
06LM	616 lm	8.55W	72 lm/W
12LM	1,170 lm	17.11W	68.4 lm/W
18LM	1,694 lm	23.53W	72 lm/W
24LM	2,325 lm	32.278W	72 lm/W
30LM	2,893 lm	40.18W	72 lm/W

LM Multiplier 1 LED CRI

SW80: 1.00
SW90: 0.90
SW95: 0.75

LM Multiplier 2 LED Color

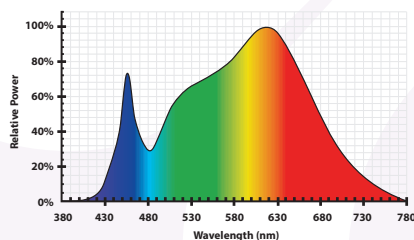
2700K: 0.96
3000K: 1.00
3500K: 1.03
4000K: 1.05
5000K: 1.07

LM Multiplier 3 Trim Finish

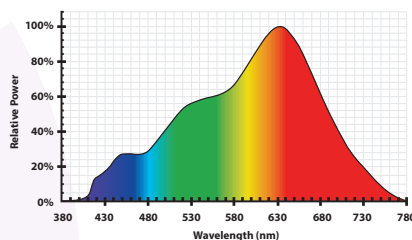
Clear Haze: 1.00
White Paint: 0.90
Black Paint: 0.70

Calculated Delivered Lumens = Delivered Lumen Value x LED CRI x LED Color x Trim Finish

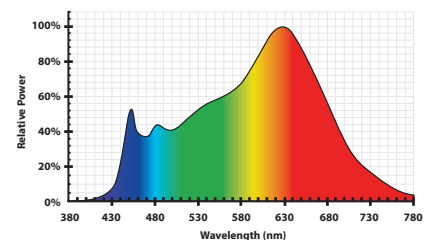
SPECTRAL POWER DISTRIBUTION



Standard LED 90+ CRI @ 3000K



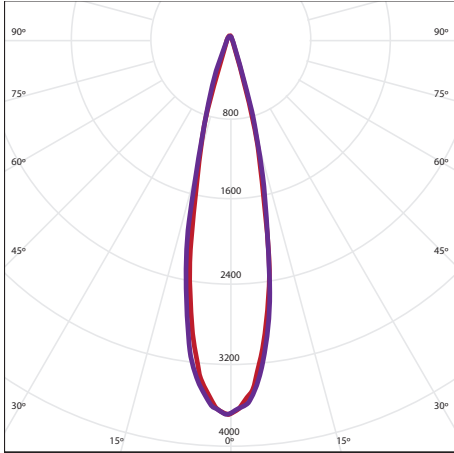
SunLike LED 97 CRI @ 3000K



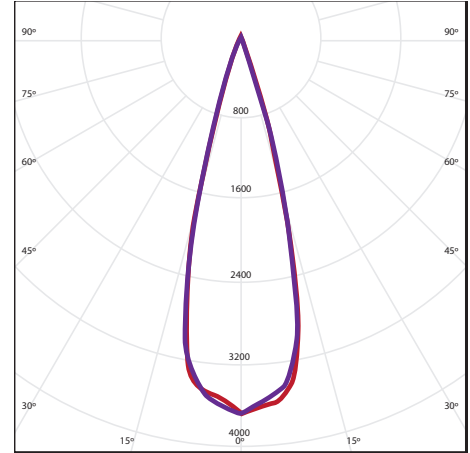
PerfectWhite LED 90+ CRI @ 3000K

BEAM DISTRIBUTION

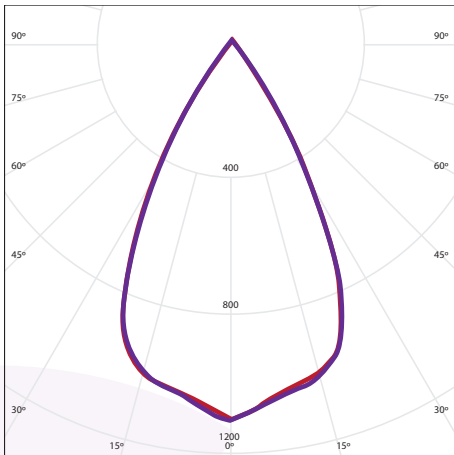
BN - 25° Narrow



BM - 35° Medium



BW - 60° Wide



DIMMING

DIMMING COMPATIBILITY FOR -DIMA1 CODE

Opus® Rondo offers compatibility with both phase-cut (reverse-phase and forward-phase) and 0-10V dimmers. Forward-phase (TRIAC) and reverse-phase (ELV) dimming work only at 120Vac. Phase-cut dimming always has priority over 0-10V dimming. Each fixture requires 1mA for 0-10V dimming. Please consult dimmer datasheet for total 0-10V dimming current requirement to determine suitable number of fixtures per dimmer for best dimming results.

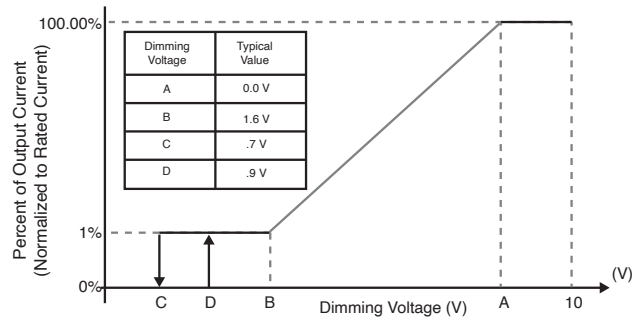
COMPATIBLE PHASE-CUT DIMMERS FOR -DIMA1 CODE

120Vac Dimmers					
Mfg.	Model	Mfg.	Model	Mfg.	Model
Lutron	S-603PG	Lutron	DVELV-303P	Lutron	CT-103P
Leviton	IPI06-1LZ	Lutron	SELV-300P	Cooper	SLC03P
Leviton	6631-2	Leviton	6683-IW	Leviton	IPE04
Lutron	DVCL-153P	Leviton	6161	Lutron	MAELV-600
Lutron	DV-600P	Leviton	6633-P	Lutron	FAELV-500
Lutron	TGCL-153P	Lutron	TG-600P	Lightolier	ZP260QEW
Lutron	S-600P	Cooper	DLC03P	Cooper	DAL06P
Leviton	VPE06	Lutron	LG-600P		

COMPATIBLE 0-10V DIMMERS FOR -DIMA1 CODE

0-10V Dimmers		
Mfg.	Model	Part No.
Lutron	Nova series	NFTV
Leviton	IllumaTech series	IP710-DL
Lutron	Diva series	DVTV

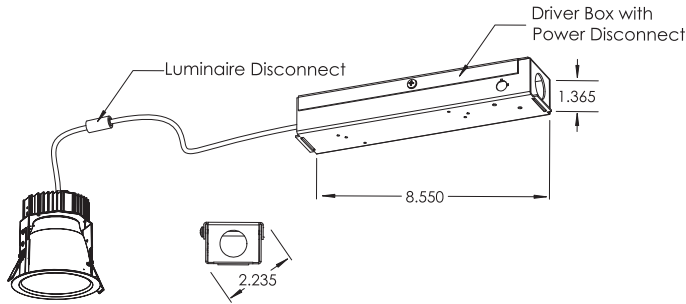
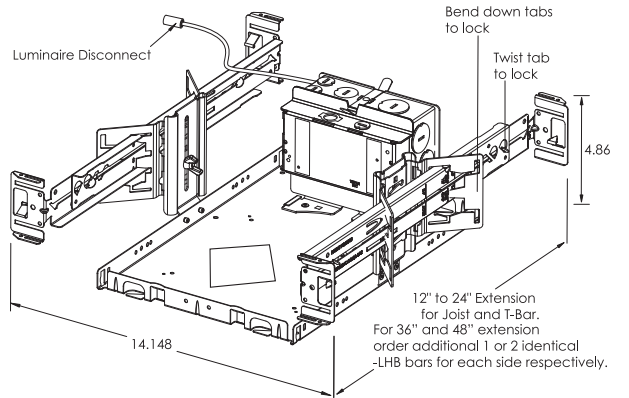
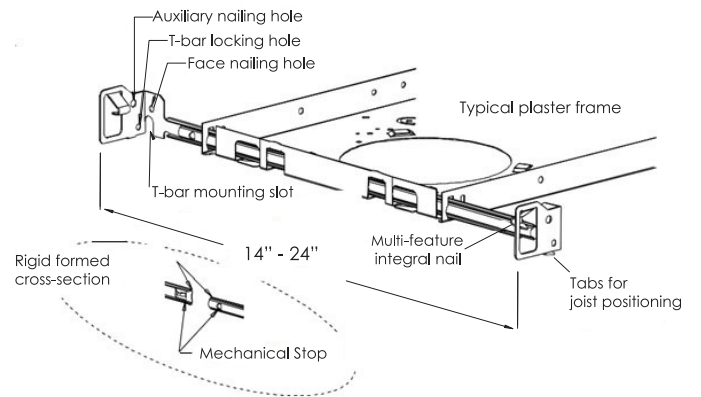
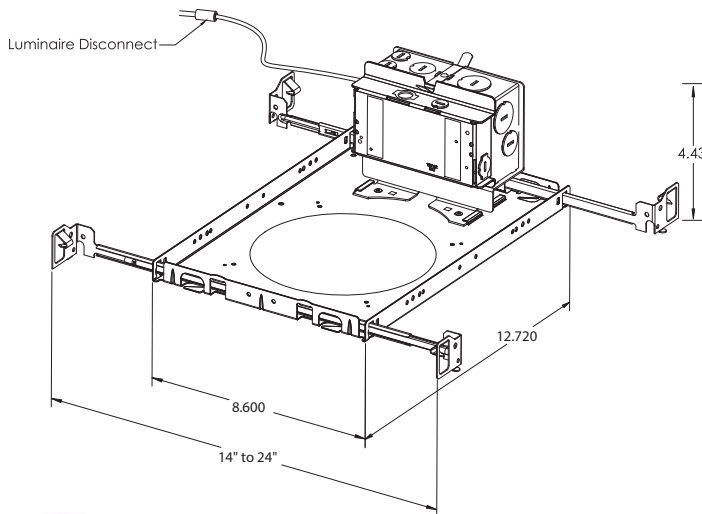
0-10V DIM VOLTAGE REFERENCE FOR -DIMA1 CODE



MOUNTING
Remodeler Mounting (No Suffix)

Mounting dimensions shown are for -DIMA1, -10V, -10V1, up to 50W input power and -LUT1, -LUTZ1 up to 20W input power. Larger remodeler driver box for higher wattages and other dimming options as well, not shown below.

Z Each DMXZ1 fixture comes equipped with (2) female RJ45 jacks to run DMX In and DMX Out. DMXZ1 requires RJ45 cables with below pinouts. Cables need to be shielded CAT5e or CAT6.


HBH Suffix Mounting

HB Suffix Mounting

EN / IC-EN Suffix Mounting
