

PROJECT:	SPECIFIER:	TYPE:	QTY:	DATE:
----------	------------	-------	------	-------

1	2	3	4	5	6	7	8	9	10
---	---	---	---	---	---	---	---	---	----



### TECH OPTIONS



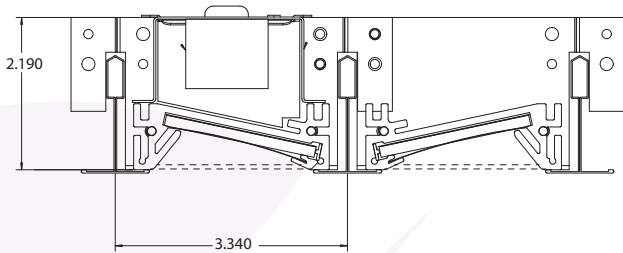
### SPECIFICATIONS

Specification grade recessed grid luminaire. Matte white powder coated steel housing with elegant light guides engineered for diffused illuminance. Double vaulted light guide configuration for applications requiring a wide beam. Architectural solution for suspended ceiling applications.

### FEATURES

- Housing:** matte white powder coated steel
- Footprint:** double unit
- Optic:** double vaulted light guide for diffused illuminance
- Beams:** double asymmetric
- Mounting:** versatile mounting into any grid system for uniform, consistent tile and ceiling appearance
- LED:** Static white CRI 80+

### DIMENSIONS



**WARRANTY** 5 Year Limited Warranty (Covers Standard Components)

### RATINGS & CERTS

Made In USA  
Damp Location Rated



<b>1: TYPE</b>	<b>MT22-RL</b> <b>MT24-RL</b> <b>MT26-RL</b> <b>MT28-RL</b>	2ft grid, double unit 4ft grid, double unit 6ft grid, double unit 8ft grid, double unit
<b>2: LED COLOR &amp; CRI</b>	<b>SW80-30K</b> <b>SW80-35K</b> <b>SW80-40K</b>	3000K Static White 80+ 3500K Static White 80+ 4000K Static White 80+
<b>3: LUMENS</b>	<b>05LM</b> <b>07LM</b> <b>10LM</b> <b>12LM</b> <b>15LM</b>	500 lm / ft 750 lm / ft 1000 lm / ft 1250 lm / ft 1500 lm / ft
<b>4: VOLTAGE</b>	<b>U</b> <b>3</b> <b>4</b>	120-277Vac 347Vac 347-480Vac
<b>5: DIMMING / DRIVER</b>	<b>10V</b> <b>10V1</b> <b>10VZ1</b> <b>LDE5</b> <b>LDE1</b>	Dim 0-10V dimming to <10% 1% Dim 0-10V 0.1% Dim 0-10V 5% Dim Lutron Digital Ecosystem 1% Dim Lutron Hi-Lume EcoSystem Soft-on & Fade Black
<small>*Driver uses logarithmic dimming curve as standard. For linear curve add "LIN" after Dimming Code</small>		
<b>6: OPTIC</b>	<b>BM</b> <b>BW</b> <b>BXW</b>	Medium Wide Extra Wide
<b>7: FINISH</b>	<b>WH</b> <b>BK</b> <b>XX</b>	Matte White Matte Black Custom
<b>8: MOUNTING</b>	<b>G15</b> <b>G9</b> <b>GS</b> <b>DFK</b>	Grid, 15/16" flat Grid, 9/16" flat Grid, Slot Tee Drywall Flange Kit
<b>9: CONTROL</b>	<b>VIVE</b> <b>ANL</b> <b>AIRNL</b> <b>CAS</b> <b>ENT</b>	Integrated Lutron VIVE Integrated Acuity nLight Integrated Acuity nLight Air Casambi Ready Integrated Enlighted
<b>10: ACCESSORIES</b>	<b>BKT</b> <b>BB7</b> <b>BB11</b> <b>BB24</b> <b>347STEP</b> <b>480STEP</b>	Ceiling Grid Pre-Installed Brackets Battery Backup 7W for 90 mins Battery Backup 11W for 90 mins Battery Backup 24W for 90 mins Separate 347-277Vac Step Down Transformer Separate 480-277Vac Step Down Transformer

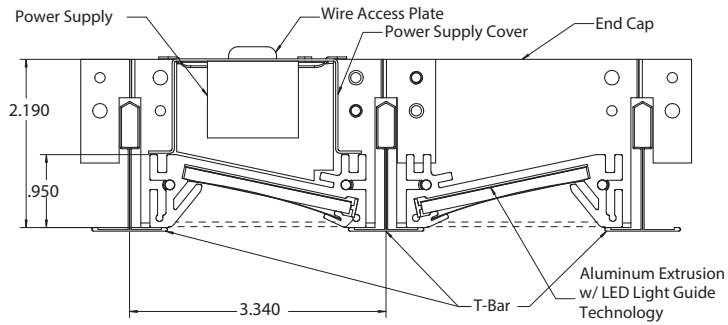
### LED OUTPUT INFO

#### Standard White LED 80+ CRI @ 4000K (nominal) - 4ft length

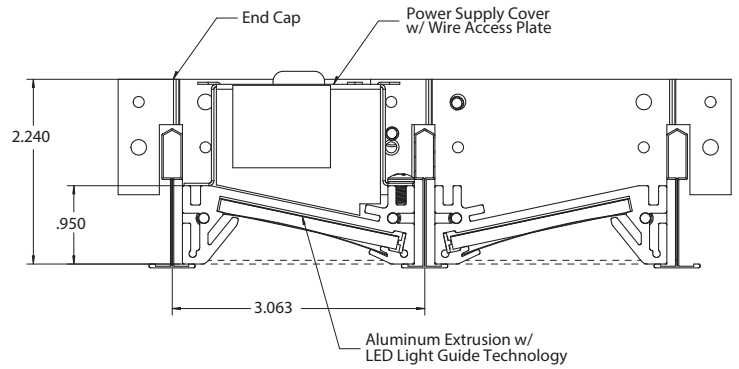
Ordering Code	Lumens, Nominal Delivered	Input Power, Nominal	Efficacy, Nominal
05LM	2,032 lm	18.3W	111 lm/W
07LM	3,048 lm	27.4W	111 lm/W
10LM	4,064 lm	36.6W	111 lm/W
12LM	5,080 lm	45.7W	111 lm/W
15LM	6,096 lm	54.9W	111 lm/W

## MOUNTING

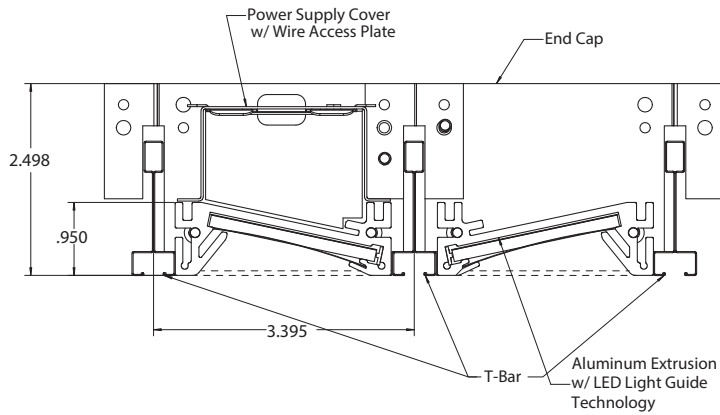
### G15 - Grid, 15/16" Flat



### G9 - Grid, 9/16" Flat



### GS - Grid, Slot Tee



## ACCESSORY

### BKT - Ceiling Grid Pre-Installed Bracket Accessory

