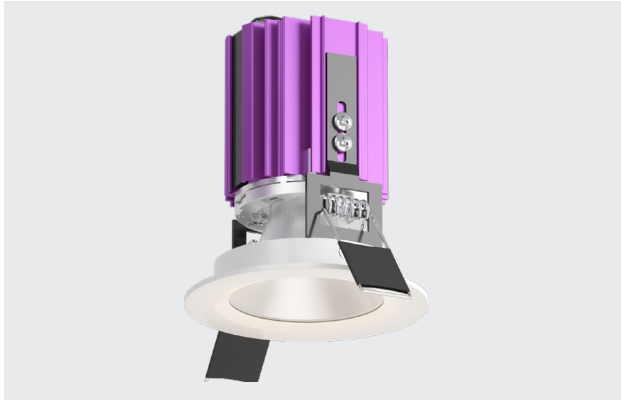


PROJECT:	SPECIFIER:	TYPE:	QTY:	DATE:
1	2	3	4	5
6	7	8	9	



### TECH OPTIONS



### DESCRIPTION

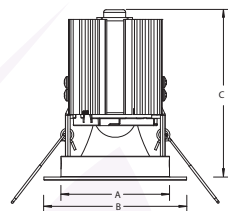
Cutting edge downlight with modern design and ultimate versatility including remodeler, new construction, and IC mounting. Milled aluminum trim with anodized aluminum spun reflector and regress ball optic. Standard warm-dimming to 1% compatible with virtually all 0-10V, leading and trailing edge dimming applications. IC rating for lower lumen outputs standard without enclosed box. Thermal protection in case of improper insulation use. Extruded aluminum anodized heat sink. Plenum disconnect and positive retention springs allow for easy installation.

### FEATURES

- Housing & Trim:** milled aluminum, powdercoat finish
- Cutout:** round
- Optic:** anodized aluminum spun reflector with ball optic
- Beams:** narrow and wide
- Lumen Output (nominal):** warm dim to 1200 lm, 55 lm/W; static white to 1500 lm, 78 lm/W
- Mounting:** new construction, remodeler, and IC housing box
- Heat Sink:** anodized aluminum
- LED:** warm dim, static white

### DIMENSIONS

- Aperture (A):** 1.86"
- Flange (B):** 2.92"
- Height (C):** 3.46 - 4.76"
- Ceiling Opening:** 2.35"
- Ceiling Thickness:** 1/2" - 1"



**WARRANTY** 5 Year Limited Warranty (Covers Standard Components)

### RATINGS & CERTS

Made with Global Components  
Damp Location Rated



<b>1: TYPE</b>	<b>AB2-RD</b> <b>AB2-RDW</b>	Recessed Downlight Wet location clear lens
<b>2: LED COLOR &amp; CRI</b> <i>*Warm dim compatible with traditional single channel dimming methods</i>	<b>WD97-3018K*</b> <b>SW90-27K</b> <b>SW90-30K</b> <b>SW90-35K</b> <b>SW90-40K</b>	Warm Dim 3000-1800K 97+ 2700K Static White 90+ 3000K Static White 90+ 3500K Static White 90+ 4000K Static White 90+
<b>3: LUMENS</b> <i>See pg2 Power Info for LED power options</i>	<b>05LM</b> <b>06LM</b> <b>07LM</b> <b>09LM</b> <b>15LM</b>	500 lm 600 lm 700 lm 900 lm 1500 lm <b>15LM</b> 1500 lm
<b>4: VOLTAGE</b>	<b>U</b>	120-277Vac
<b>5: DIMMING</b> <i>Leading and trailing edge at 120Vac only</i>	<b>DIMA1</b>	1% universal dim 0-10V/TRIAC/ELV <i>*For 0-10V dim, non-linear dim-to-off standard; for linear dimming add -LIN on end of Dimming code</i>
<b>6: OPTIC</b>	<b>BW</b> <b>BN</b>	55° Smooth Haze Reflector & Ball Optic, Wide Beam 25° Faceted Reflector, Specular, Ball optic sublens
<b>7: TRIM FINISH</b>	<b>WH</b> <b>BK</b> <b>NS</b> <b>BZ</b>	White Matte Powder Black Matte Powder Nickel Satin Powder Bronze Powder
<b>8: IC RATING (OPTIONAL)</b>	<b>IC</b>	Insulated ceiling <i>*Enclosed box required; contact factory for remodeler IC options</i>
<b>9: ACCESSORY</b>	<b>HB*</b> <b>HBH</b> <b>LHB</b> <b>EN**</b> <b>BB4</b> <b>BB8</b>	Ceiling frame with hanger bars Ceiling frame with hanger bars & butterfly bracket kit, extendable Heavy bars for 36" extension (set of 2 pcs); note 2 sets required for 48" Enclosed box with ceiling plate & bars Battery Backup 4W for 90 mins Battery Backup 8W for 90 mins



**POWER INFO**

**Static White 90+ CRI @ 3000K**

Ordering Code	Lumens, Nominal Delivered	Input Power, Nominal	Efficacy, Nominal
07LM*	760 lm	9.83W	77.3 lm/W
10LM	1,064 lm	13.76W	77.3 lm/W
15LM	1,519 lm	19.32W	78.6 lm/W

\*Insulated Ceiling (IC) Rated

**Warm Dim 97+ CRI @ 3000K**

Ordering Code	Lumens, Nominal Delivered	Input Power, Nominal	Efficacy, Nominal
05LM*	470 lm	8.5W	55.2 lm/W
07LM	700 lm	12.68W	55.2 lm/W
09LM	894 lm	16.19W	55.2 lm/W

\*Insulated Ceiling (IC) Rated

**DIMMING**

**DIMMING COMPATIBILITY FOR -DIMA1 CODE**

Opus® Aria offers compatibility with both phase-cut (reverse-phase and forward-phase) and 0-10V dimmers. Forward-phase (TRIAC) and reverse-phase (ELV) dimming work only at 120Vac. Phase-cut dimming always has priority over 0-10V dimming. Each fixture requires 1mA for 0-10V dimming. Please consult dimmer datasheet for total 0-10V dimming current requirement to determine suitable number of fixtures per dimmer for best dimming results.

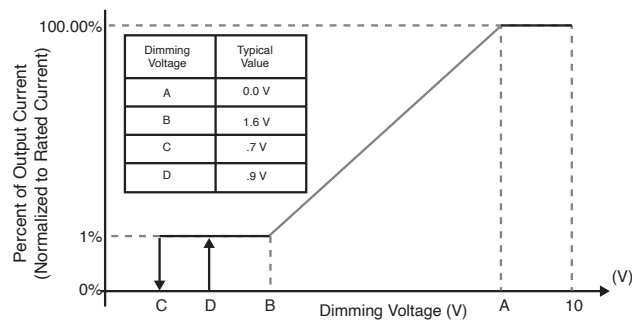
**COMPATIBLE PHASE-CUT DIMMERS FOR -DIMA1 CODE**

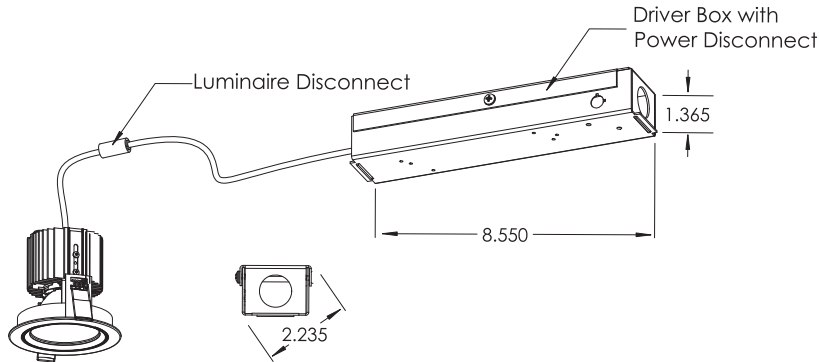
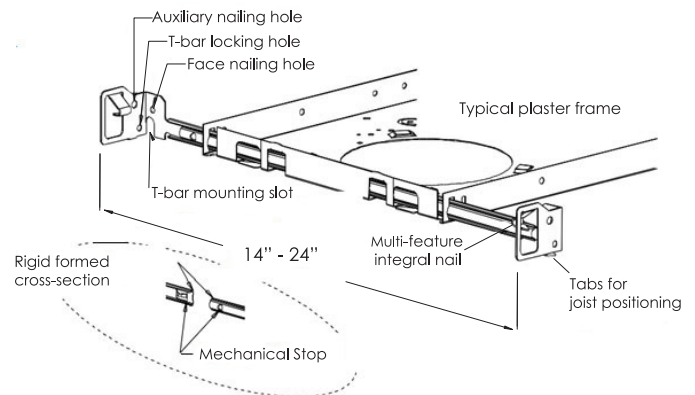
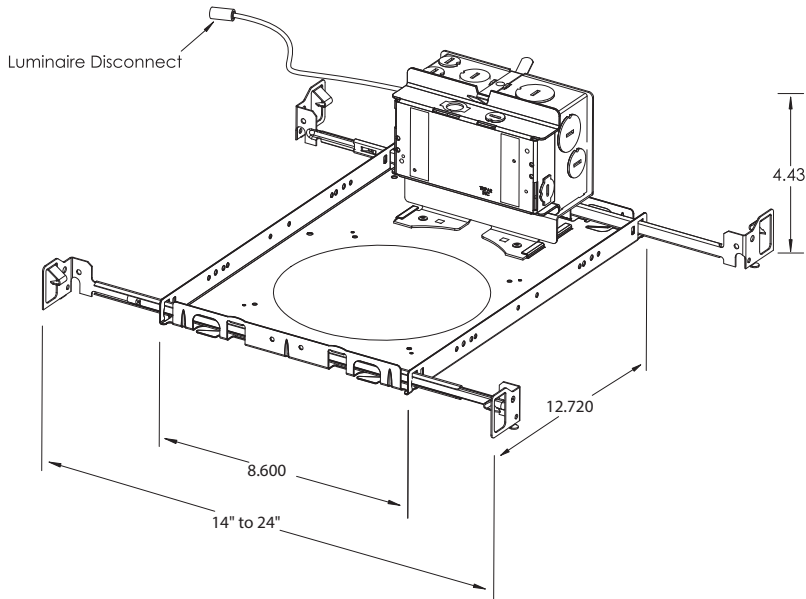
120Vac Dimmers					
Mfg.	Model	Mfg.	Model	Mfg.	Model
Lutron	S-603PG	Lutron	DVELV-303P	Lutron	CT-103P
Leviton	IPI06-1LZ	Lutron	SELV-300P	Cooper	SLC03P
Leviton	6631-2	Leviton	6683-IW	Leviton	IPE04
Lutron	DVCL-153P	Leviton	6161	Lutron	MAELV-600
Lutron	DV-600P	Leviton	6633-P	Lutron	FAELV-500
Lutron	TGCL-153P	Lutron	TG-600P	Lightolier	ZP260QEW
Lutron	S-600P	Cooper	DLC03P	Cooper	DAL06P
Leviton	VPE06	Lutron	LG-600P		

**COMPATIBLE 0-10V DIMMERS FOR -DIMA1 CODE**

0-10V Dimmers		
Mfg.	Model	Part No.
Lutron	Nova series	NFTV
Leviton	IllumaTech series	IP710-DL
Lutron	Diva series	DVTV

**0-10V DIM VOLTAGE REFERENCE FOR -DIMA1 CODE**



**MOUNTING**
**Remodeler Mounting (No Suffix)**

**HB Suffix Mounting**

**HBH Suffix Mounting**
