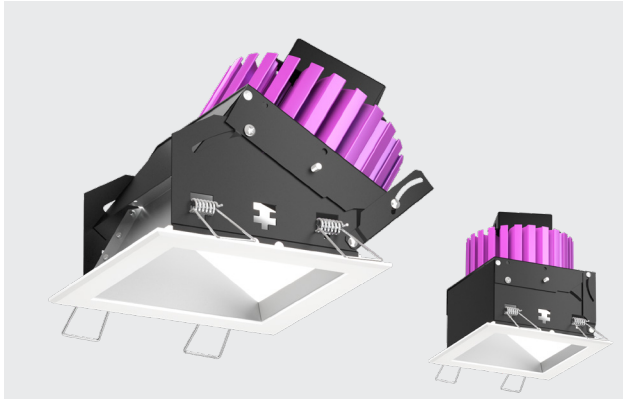


PROJECT:	SPECIFIER:	TYPE:	QTY:	DATE:
1	2	3	4	5
6	7	8	9	10
11				



### TECH OPTIONS



### DESCRIPTION

Specification grade adjustable downlight with cast aluminum trim and slope aperture including regress optic and optional lens. Hot aiming capability with up to 45° adjustability and impressive high output options for tall sloped ceilings. Inherently protected luminaire with IC and non-IC options available. Thermal protection in case of improper insulation use. High quality electrocoated metal construction with positive retention springs allow for easy installation and prevent sagging.

### FEATURES

**Housing & Trim:** aluminum diecast trim with cosmetic electroplated finishes available, aluminum reflector with anodize finishes available

**Cutout:** square

**Optic:** open trim with slope aperture; regress field changeable optics available; optional lens in clear or diffuse

**Beams:** narrow regress optic, medium regress optic

**Lumen Output (nominal):** up to 6000+ lm, 110 lm/W

**Mounting:** new construction, remodeler, and IC housing box

**Heat Sink:** extruded anodized aluminum for higher outputs or electrocoated aluminum bracket for lower outputs

**LED:** PerfectWhite™ human centric, Tunable White, Warm Dim, Static white

CRI 90+ & 95+, Sunlike 97, RGBW

≤1x3 SDCM standard, ≤1x2 SDCM available upon request

LED Lumen Maintenance: L70 > 50,000hrs

### DIMENSIONS

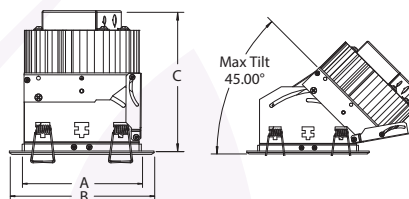
**Aperture (A):** 5.04" Ø

**Flange (B):** 6.69" Ø

**Height (C):** 5.31" - 7.67"

**Min. Ceiling Opening:** 5.9" Ø

**Ceiling Thickness:** ½" - 2" thk



**WARRANTY** 5 Year Limited Warranty (Covers Standard Components)

### RATINGS & CERTS

Made In USA with Global Components  
Damp Location Rated



**1: TYPE** RS6A-RD Recessed Adjustable Downlight

### 2: LED COLOR & CRI

<b>WD97-3018K*</b>	Warm Dim 3000-1800K 97+	<b>SW90-40K</b>	4000K Static White 90+
<b>WD92-4027K*</b>	Warm Dim 4000-2700K 92+	<b>SW90-50K</b>	5000K Static White 90+
<b>LX90-RGBW**</b>	Lumenetix RGB + 8000-1650K White 90+	<b>SW95-27K</b>	2700K Static White 95+
		<b>SW95-30K</b>	3000K Static White 95+
<b>PC90-30K</b>	3000K PerfectWhite™ 90+	<b>SW95-35K</b>	3500K Static White 95+
<b>SW80-27K</b>	2700K Static White 80+	<b>SW95-40K</b>	4000K Static White 95+
<b>SW80-30K</b>	3000K Static White 80+	<b>SL97-27K</b>	2700K Sunlike 97
<b>SW80-35K</b>	3500K Static White 80+	<b>SL97-30K</b>	3000K Sunlike 97
<b>SW80-40K</b>	4000K Static White 80+	<b>SL97-35K</b>	3500K Sunlike 97
<b>SW80-50K</b>	5000K Static White 80+	<b>SL97-40K</b>	4000K Sunlike 97
<b>SW80-57K</b>	5700K Static White 80+	<b>SL97-50K</b>	5000K Sunlike 97
<b>SW80-65K</b>	6500K Static White 80+	<b>TW90-4018K***</b>	Tunable White
<b>SW90-27K</b>	2700K Static White 90+		4000-1800K 90+
<b>SW90-30K</b>	3000K Static White 90+	<b>TW90-6527K***</b>	Tunable White
<b>SW90-35K</b>	3500K Static White 90+		6500-2700K 90+

\*Warm dim compatible with traditional single channel dimming methods

\*\*Tunable full color and white with DMX; Tunable white and full color preset scenes only with 2x 0-10V; Tunable white only 8000-1650K with Lutron Ecosystem, Dal2, & Wattstopper DLM

\*\*\*3000lm Max Output \*\*\*Two-step MacAdam Ellipse available upon request. Use "2SP" after LED code

### 3: LUMENS

<b>10LM</b>	1000 lm
<b>15LM</b>	1500 lm
<b>21LM</b>	2100 lm
<b>30LM</b>	3000 lm
<b>34LM</b>	3400 lm
<b>43LM*</b>	4300 lm
<b>50LM</b>	5000 lm
<b>60LM</b>	6000 lm

\*DIM1 max output.

\*\*Lumenetix white max output 2100 lm.

See page 2 LED Power Info for chip-specific lumens

### 4: VOLTAGE

**U** 120-277Vac

### 5: DIMMING / DRIVER

Leading and trailing edge dimming at 120Vac only

<b>DIMA1*</b>	1% Universal Dim 0-10V/TRIAC/ELV (4300lm max output)
<b>AVI</b>	Bluetooth Avi-on BLE Wireless for static white, warm-dim, tunable white & RGBW
<b>10V</b>	<10% Dim 0-10V
<b>10V1</b>	1% Dim 0-10V
<b>10VMC1</b>	1% Dim 0-10V multi-channel for tunable white & Lumenetix full color presets + tunable white
<b>10VMCZ1</b>	0.1% Dim 0-10Vx2 dim-to-off for tunable white
<b>LTEA</b>	1% Dim Lutron Hi-Lume 2-Wire (120V only)
<b>LUT1</b>	1% Dim Lutron Hi-Lume EcoSystem Soft-on & Fade Black
<b>LUTZ1**</b>	0.1% Dim Lutron Hi-Lume Premium EcoSystem Soft-On & Fade Black for static white & Lumenetix tunable white
<b>ELD1</b>	1% Dim eldoLED ECODrive
<b>ELDZ1</b>	0.1% Dim eldoLED SOLOdrive dim-to-off
<b>DMXZ1</b>	0.1% Dim DMX for tunable white & Lumenetix tunable full color and white
<b>DALIZ1</b>	0.1% Dim Dal2 for tunable white & Lumenetix tunable white
<b>WATTZ1</b>	0.1% Dim Wattstopper DLM for Lumenetix tunable white

\* Standard non-linear dim-to-off for 0-10V dimming; for linear dimming add -LIN at end of dim code

\*\* <20W available for static white

\*\*\* Most drivers use logarithmic dimming curve as standard. For linear curve add "LIN" after Dimming Code

### 6: OPTIC

<b>BN</b>	25° TIR
<b>BM</b>	35° TIR
<b>BW</b>	55° TIR

### 7: LENS

<b>NL</b>	No Lens
<b>CLR</b>	Flush Clear Polycarbonate
<b>DIF</b>	Flush Diffuse Polycarbonate
<b>RL</b>	Regress lens

### 8: BEZEL

<b>WH</b>	White Matte Powder	<b>CU</b>	Polished Copper Plated
<b>BK</b>	Black Matte Powder	<b>BC</b>	Black Chrome Plated
<b>PHZ</b>	Silver Haze Matte Powder	<b>BH</b>	Brush Brass Plated
<b>NAT</b>	Natorium 3-Layer White Finish	<b>BR</b>	Polished Brass Plated
<b>AMI</b>	Anti-microbial Powder	<b>NB</b>	Nickel Brush Plated
<b>BZ</b>	Oil-rub Bronze Brush Plated	<b>NC</b>	Polished Nickel Chrome Plated
<b>CB</b>	Copper Brush Plated		

### 9: FLANGE

\*All electroplated finishes have protective coating to prevent corrosion

<b>WH</b>	White Matte Powder	<b>MT</b>	Match Trim
<b>BK</b>	Black Matte Powder		

### 10: IC RATING (OPTIONAL)

**IC** Insulated ceiling  
\*Enclosed box required; contact factory for remodeler IC options

### 11: ACCESSORY

<b>HB*</b>	Ceiling frame with hanger bars
<b>HBH</b>	Ceiling frame with hanger bars & butterfly bracket kit, extendable
<b>EN</b>	Enclosed box with ceiling plate & bars
<b>FMC</b>	Flex metal whip, 24-inch for AC power
<b>BB4</b>	Battery Backup 4W for 90 mins
<b>BB8</b>	Battery Backup 8W for 90 mins
<b>GOR</b>	Adapter Goof Ring
<b>REM</b>	Remodel Ring

\*Extension range min. 14-24" max. See pg3 for full details.

### 12: CONTROL

<b>VIVE</b>	Lutron Vive
<b>ANL</b>	Acuity nLight
<b>AIRNL</b>	Acuity nLight Air
<b>CAS</b>	Casambi Ready
<b>ENT</b>	Enlighted

12/22/2022  
page 1



## LED POWER INFO *Insulated ceiling (IC) rating up to 30W / ~3000 lm IC rated*

### Static White LED 80+ CRI @ 3000K (nominal)

Ordering Code	Lumens, Nominal Delivered	Input Power, Nominal	Efficacy, Nominal
10LM	1,061 lm	9.83W	108 lm/W
15LM	1,486 lm	13.76W	108 lm/W
21LM	2,130 lm	19.32W	110.3 lm/W
30LM	2,982 lm	27.05W	110.3 lm/W
43LM	4,260 lm	38.64W	110.3 lm/W
60LM	5,964 lm	54.09W	110.3 lm/W

### PerfectWhite LED 90+ CRI @ 3000K (nominal)

Ordering Code	Lumens, Nominal Delivered	Input Power, Nominal	Efficacy, Nominal
09LM	924 lm	13.50W	68.4 lm/W
13LM	1,347 lm	19.29W	69.8 lm/W
19LM	1,886 lm	27.01W	69.8 lm/W
27LM	2,694 lm	38.58W	69.8 lm/W

### Warm Dim LED 92+ CRI @ Full Intensity (nominal)

Ordering Code	Lumens, Nominal Delivered	Input Power, Nominal	Efficacy, Nominal
09LM	900 lm	14.36W	62.6 lm/W
12LM	1,263 lm	20.17W	62.6 lm/W
18LM	1,806 lm	28.24W	63.9 lm/W
26LM	2,580 lm	40.34W	63.9 lm/W

### Lumenetix White LED 90+ CRI @ 4000K

Ordering Code	Lumens Delivered	Input Power	Efficacy
08LM	840 lm	20.2W	41.5 lm/W
14LM	1360 lm	33.7W	40.3 lm/W
21LM	2080 lm	56.2W	37 lm/W
35LM	3480 lm	67.4W	51.6 lm/W

### Static White LED 90+ CRI @ 3000K (nominal)

Ordering Code	Lumens, Nominal Delivered	Input Power, Nominal	Efficacy, Nominal
09LM	899 lm	9.83W	91.4 lm/W
13LM	1,258 lm	13.76W	91.4 lm/W
18LM	1,803 lm	19.32W	93.3 lm/W
25LM	2,525 lm	27.05W	93.3 lm/W
36LM	3,607 lm	38.64W	93.3 lm/W
50LM	5,049 lm	54.09W	93.3 lm/W
60LM	6,131 lm	65.68W	93.3 lm/W

### Sunlike LED 97 CRI @ 3000K (nominal)

Ordering Code	Lumens, Nominal Delivered	Input Power, Nominal	Efficacy, Nominal
07LM	706 lm	10.06W	70.2 lm/W
10LM	988 lm	14.08W	70.2 lm/W
14LM	1,425 lm	19.89W	71.7 lm/W
20LM	1,995 lm	27.84W	71.7 lm/W
28LM	2,867 lm	40.00W	71.7 lm/W

### Tunable White LED 90+ CRI @ Cool CCT (nominal)

Ordering Code	Lumens, Nominal Delivered	Input Power, Nominal	Efficacy, Nominal
06LM	616 lm	8.55W	72 lm/W
12LM	1,170 lm	17.11W	68.4 lm/W
18LM	1,4694 lm	23.53W	72 lm/W

#### LM Multiplier 1 LED CRI

SW80: 1.00  
SW90: 0.90  
SW95: 0.75

#### LM Multiplier 2 LED Color

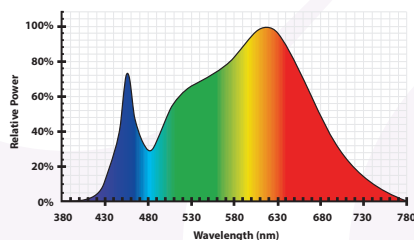
2700K: 0.96  
3000K: 1.00  
3500K: 1.03  
4000K: 1.05  
5000K: 1.07

#### LM Multiplier 3 Trim Finish

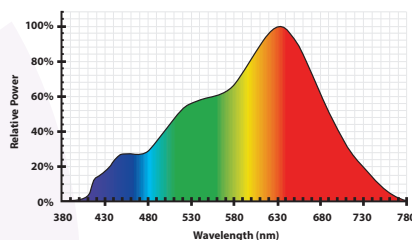
Clear Haze: 1.00  
White Paint: 0.90  
Black Paint: 0.70

Calculated Delivered Lumens = Delivered Lumen Value x LED CRI x LED Color x Trim Finish

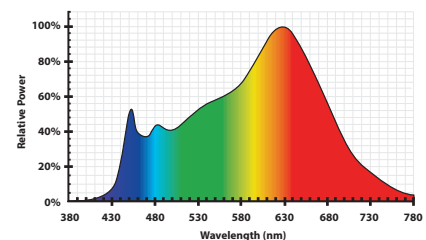
## SPECTRAL POWER DISTRIBUTION



Standard LED 90+ CRI @ 3000K



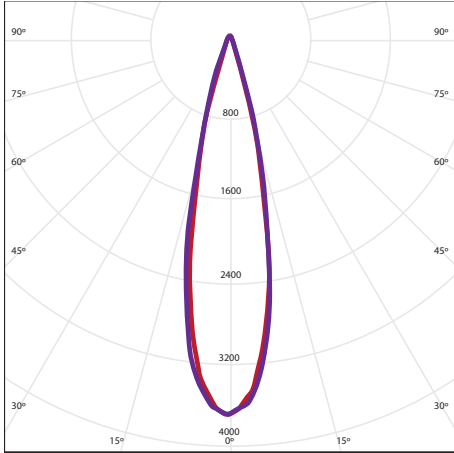
SunLike LED 97 CRI @ 3000K



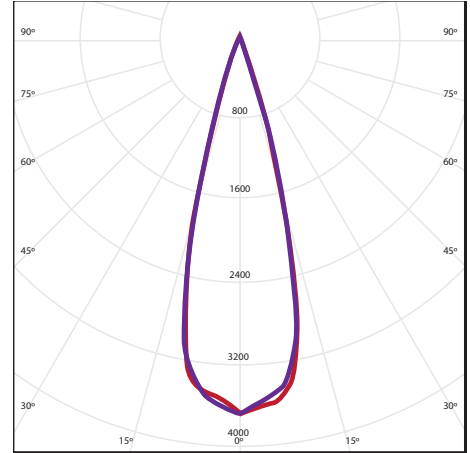
PerfectWhite LED 90+ CRI @ 3000K

**BEAM DISTRIBUTION**

**BN - 25° Narrow**



**BM - 35° Medium**



## DIMMING

### DIMMING COMPATIBILITY FOR -DIMA1 CODE

Opus® Rondo offers compatibility with both phase-cut (reverse-phase and forward-phase) and 0-10V dimmers. Forward-phase (TRIAC) and reverse-phase (ELV) dimming work only at 120Vac. Phase-cut dimming always has priority over 0-10V dimming. Each fixture requires 1mA for 0-10V dimming. Please consult dimmer datasheet for total 0-10V dimming current requirement to determine suitable number of fixtures per dimmer for best dimming results.

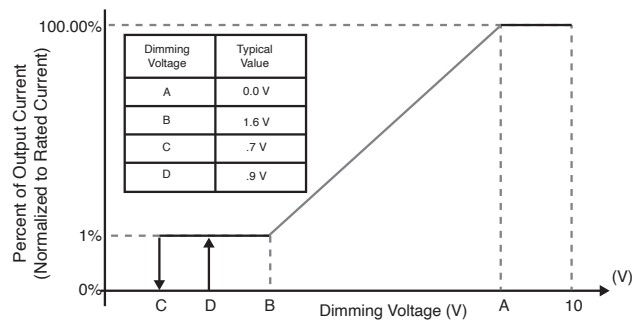
### COMPATIBLE PHASE-CUT DIMMERS FOR -DIMA1 CODE

120Vac Dimmers					
Mfg.	Model	Mfg.	Model	Mfg.	Model
Lutron	S-603PG	Lutron	DVELV-303P	Lutron	CT-103P
Leviton	IPI06-1LZ	Lutron	SELV-300P	Cooper	SLC03P
Leviton	6631-2	Leviton	6683-IW	Leviton	IPE04
Lutron	DVCL-153P	Leviton	6161	Lutron	MAELV-600
Lutron	DV-600P	Leviton	6633-P	Lutron	FAELV-500
Lutron	TGCL-153P	Lutron	TG-600P	Lightolier	ZP260QEW
Lutron	S-600P	Cooper	DLC03P	Cooper	DAL06P
Leviton	VPE06	Lutron	LG-600P		

### COMPATIBLE 0-10V DIMMERS FOR -DIMA1 CODE

0-10V Dimmers		
Mfg.	Model	Part No.
Lutron	Nova series	NFTV
Leviton	IllumaTech series	IP710-DL
Lutron	Diva series	DVTV

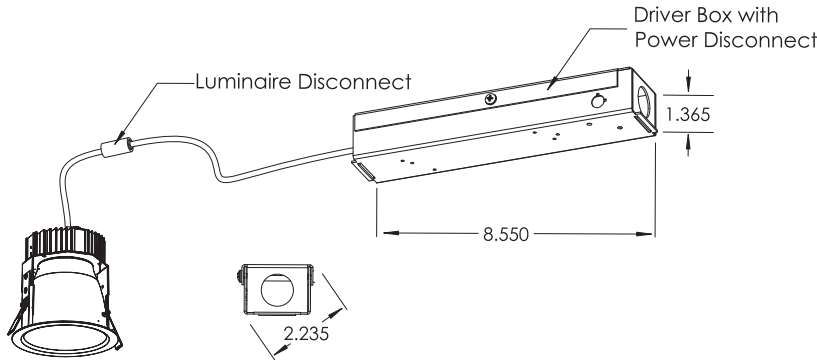
### 0-10V DIM VOLTAGE REFERENCE FOR -DIMA1 CODE



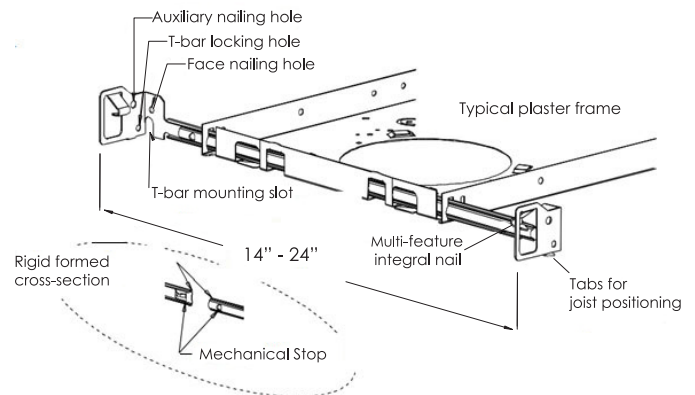
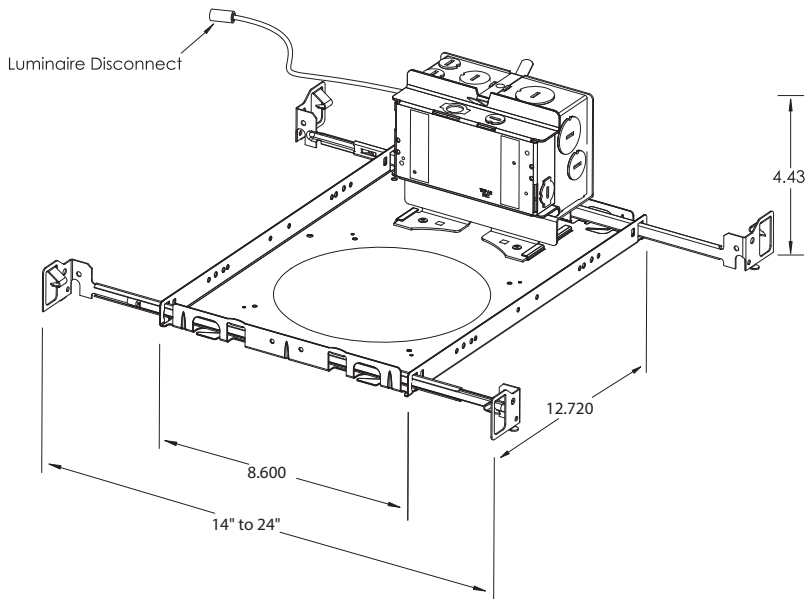
## MOUNTING

### Remodeler Mounting (No Suffix)

Mounting dimensions shown are for -DIMA1, -10V, -10V1, up to 50W input power and -LUT1, -LUTZ1 up to 20W input power  
Larger remodeler driver box for higher wattages and other dimming options as well, not shown below.



### HB Suffix Mounting



### HBH Suffix Mounting

