

PROJECT:	SPECIFIER:	TYPE:	QTY:	DATE:
1	2	3	4	5
6	7	8	9	10
11				



TECH OPTIONS



DESCRIPTION

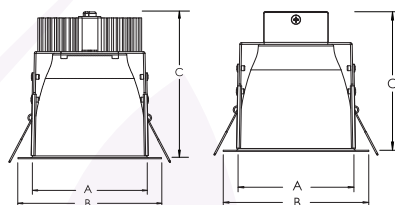
Specification grade downlight with aluminum alloy primary reflector available in wide range of finishes. Open trim with variety of field changeable beam distributions and impressive high output options available up to 4000 lm for tall ceilings. Inherently protected luminaire with IC and non-IC options available. Thermal protection in case of improper insulation use. Extruded aluminum anodized heat sink or electrocoated aluminum bracket only for lower outputs. Positive retention springs allow for easy installation and prevent sagging.

FEATURES

- Housing & Trim:** aluminum, Alzak anodize and paint finish options
- Cutout:** round
- Optic:** open trim with variety of optics available; field changeable
- Beams:** narrow regress optic, medium regress optic, wide regress optic, asymmetric wallwash
- Lumen Output (nominal):** up to 4300+ lm, 110 lm/W
- Mounting:** new construction, remodeler, and IC housing box
- Heat Sink:** extruded anodized aluminum for higher outputs or electrocoated aluminum bracket for lower outputs
- LED:** PerfectWhite™ human centric, Tunable White, Warm Dim, Static white
CRI 80+, 90+ & 95+, Sunlike 97, RGBW
≤1x3 SDCM standard, ≤1x2 SDCM available upon request
LED Lumen Maintenance: L70 > 50,000hrs

DIMENSIONS

- Aperture (A):** 4" Ø
- Flange (B):** 5" Ø
- Height (C):** 5.11" - 7.10"
- Min. Ceiling Opening:** 4.3" Ø
- Ceiling Thickness:** ½" - 2" thk



WARRANTY 5 Year Limited Warranty (Covers Standard Components)

RATINGS & CERTS

Made In USA with Global Components
Damp Location Rated, Wet Location Rated



1: TYPE

RB4-RD Recessed Downlight
RB4-RDW Recessed Downlight, Wet Location

2: LED COLOR & CRI

WD97-3018K* Warm Dim 3000-1800K 97+	SW90-40K 4000K Static White 90+
WD92-4027K* Warm Dim 4000-2700K 92+	SW90-50K 5000K Static White 90+
LX90-RGBW** Lumenetix RGB + 8000-1650K White 90+	SW95-27K 2700K Static White 95+
PC90-30K 3000K PerfectWhite™ 90+	SW95-30K 3000K Static White 95+
SW80-27K 2700K Static White 80+	SW95-35K 3500K Static White 95+
SW80-30K 3000K Static White 80+	SW95-40K 4000K Static White 95+
SW80-35K 3500K Static White 80+	SL97-27K 2700K Sunlike 97
SW80-40K 4000K Static White 80+	SL97-30K 3000K Sunlike 97
SW80-50K 5000K Static White 80+	SL97-35K 3500K Sunlike 97
SW80-57K 5700K Static White 80+	SL97-40K 4000K Sunlike 97
SW80-65K 6500K Static White 80+	SL97-50K 5000K Sunlike 97
SW90-27K 2700K Static White 90+	TW90-4018K*** Tunable White 4000-1800K 90+
SW90-30K 3000K Static White 90+	TW90-6527K*** Tunable White 6500-2700K 90+
SW90-35K 3500K Static White 90+	

*Warm dim compatible with traditional single channel dimming methods
**Tunable full color and white with DMX; Tunable white and full color preset scenes only with 2x 0-10V; Tunable white only 8000-1650K with Lutron Ecosystem, DalI2, & Wattstopper DLM
3000lm Max Output *Two-step MacAdam Ellipse available upon request. Use "2SP" after LED code

3: LUMENS

DIM1 max output.	10LM 1000 lm
**Lumenetix white max output 1360 lm.	15LM 1500 lm
See page 2 LED Power Info for chip-specific lumens	21LM 2100 lm
	30LM 3000 lm
	43LM* 4300 lm

4: VOLTAGE

U 120-277Vac

5: DIMMING / DRIVER Leading and trailing edge dimming at 120Vac only

DIMA1* 1% Universal Dim 0-10V/TRIAC/ELV (4300lm max output)
AVI Bluetooth Avi-on BLE Wireless for static white, warm-dim, tunable white & RGBW
10V <10% Dim 0-10V
10V1 1% Dim 0-10V
10VMC1 1% Dim 0-10V multi-channel for tunable white & Lumenetix full color presets + tunable white
10VMCZ1 0.1% Dim 0-10Vx2 dim-to-off for tunable white
LTEA 1% Dim Lutron Hi-Lume 2-Wire (120V only)
LUT1 1% Dim Lutron Hi-Lume EcoSystem Soft-on & Fade Black
LUTZ1** 0.1% Dim Lutron Hi-Lume Premium EcoSystem Soft-On & Fade Black for static white & Lumenetix tunable white
ELD1 1% Dim eldoLED ECODrive
ELDZ1 0.1% Dim eldoLED SOLOdrive dim-to-off
DMXZ1 0.1% Dim DMX for tunable & Lumenetix tunable full color and white
DALIZ1 0.1% Dim DalI2 for tunable white, warm dim & Lumenetix tunable white
DALMCZ1 0.1% dim-to-dark DALI2 DT8 dual channel for tunable white
WATTZ1 0.1% Dim Wattstopper DLM for Lumenetix tunable white

* Standard non-linear dim-to-off for 0-10V dimming; for linear dimming add -LIN at end of dim code
** <20W available for static white
*** Most drivers use logarithmic dimming curve as standard. For linear curve add "LIN" after Dimming Code

6: OPTIC

BN 25° TIR
BM 35° TIR
BW 50° TIR
BXW 90° TIR (1.2 spacing) deep regress
BAWW Asymmetric Wallwash

7: REFLECTOR FINISH

AHZ Haze Alzak Clear Anodize
PWH White Matte Paint
PBK Black Matte Paint
ABK Black Anodize
AGH Graphite Anodize
ABR Bronze Anodize
AWE Wheat Anodize

8: TRIM FINISH

AMI Anti-Microbial Finish
MT Match Reflector
WH White
BK Black

9: IC RATING (OPTIONAL)

IC IC Rated
*Enclosed box required; contact factory for remodeler IC options

10: ACCESSORY

HB* Ceiling frame with hanger bars
HBH Ceiling frame with hanger bars & butterfly bracket kit, extendable
EN Enclosed box with ceiling plate & bars
FMC Flex metal whip, 24-inch for AC power
BB4 Battery Backup 4W for 90 mins
BB8 Battery Backup 8W for 90 mins
GOR Adapter Goof Ring
REM Remodel Ring

*Extension range min. 14-24" max. See pg3 for full details.

11: CONTROL

VIVE Lutron Vive
ANL Acuity nLight
AIRNL Acuity nLight Air
CAS Casambi Ready
ENT Enlighted

08/24/2023
page 1

LED POWER INFO Insulated ceiling (IC) rating up to 18W / ~1500 lm IC rated

Static White LED 80+ CRI @ 3000K (nominal)

Ordering Code	Lumens, Nominal Delivered	Input Power, Nominal	Efficacy, Nominal
10LM	1,061 lm	9.83W	108 lm/W
15LM	1,486 lm	13.76W	108 lm/W
21LM	2,130 lm	19.32W	110.3 lm/W
30LM	2,982 lm	27.05W	110.3 lm/W
43LM	4,260 lm	38.64W	110.3 lm/W
55LM	5,538 lm	50.23W	110.3 lm/W

Static White LED 90+ CRI @ 3000K (nominal)

Ordering Code	Lumens, Nominal Delivered	Input Power, Nominal	Efficacy, Nominal
09LM	899 lm	9.83W	91.4 lm/W
13LM	1,258 lm	13.76W	91.4 lm/W
18LM	1,803 lm	19.32W	93.3 lm/W
25LM	2,525 lm	27.05W	93.3 lm/W
36LM	3,607 lm	38.64W	93.3 lm/W
48LM	4,688 lm	50.23W	93.3 lm/W

PerfectWhite LED 90+ CRI @ 3000K (nominal)

Ordering Code	Lumens, Nominal Delivered	Input Power, Nominal	Efficacy, Nominal
09LM	924 lm	13.50W	68.4 lm/W
13LM	1,347 lm	19.29W	69.8 lm/W
19LM	1,886 lm	27.01W	69.8 lm/W
27LM	2,694 lm	38.58W	69.8 lm/W

Sunlike LED 97 CRI @ 3000K (nominal)

Ordering Code	Lumens, Nominal Delivered	Input Power, Nominal	Efficacy, Nominal
07LM	706 lm	10.06W	70.2 lm/W
10LM	988 lm	14.08W	70.2 lm/W
14LM	1,425 lm	19.89W	71.7 lm/W
20LM	1,995 lm	27.84W	71.7 lm/W
28LM	2,867 lm	40.00W	71.7 lm/W

Warm Dim LED 92+ CRI @ Full Intensity (nominal)

Ordering Code	Lumens, Nominal Delivered	Input Power, Nominal	Efficacy, Nominal
09LM	900 lm	14.36W	62.6 lm/W
12LM	1,263 lm	20.17W	62.6 lm/W
18LM	1,806 lm	28.24W	63.9 lm/W
26LM	2,580 lm	40.34W	63.9 lm/W

Tunable White LED 90+ CRI @ Cool CCT (nominal)

Ordering Code	Lumens, Nominal Delivered	Input Power, Nominal	Efficacy, Nominal
06LM	616 lm	8.55W	72 lm/W
12LM	1,170 lm	17.11W	68.4 lm/W
18LM	1,694 lm	23.53W	72 lm/W
24LM	2,325 lm	32.278W	72 lm/W
30LM	2,893 lm	40.18W	72 lm/W

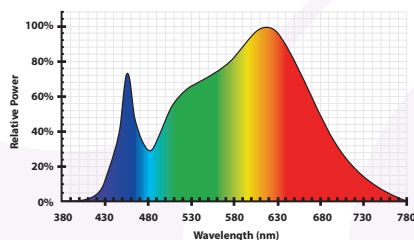
Lumenetix White LED 90+ CRI @ 4000K

Efficacy	Lumens Delivered	Input Power	Efficacy
08LM	840 lm	20.2W	41.5 lm/W
14LM	1360 lm	33.7W	40.3 lm/W

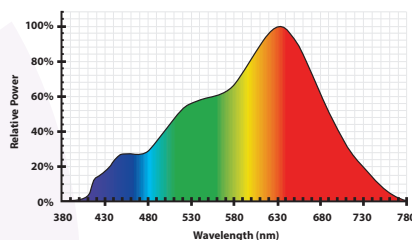
LM Multiplier 1 LED CRI	LM Multiplier 2 LED Color	LM Multiplier 3 Trim Finish	LM Multiplier 4 OPTIC
SW80: 1.00	2700K: 0.96	Clear Haze: 1.00	BXW: 0.80
SW90: 0.90	3000K: 1.00	White Paint: 0.90	
SW95: 0.75	3500K: 1.03	Black Paint: 0.70	
	4000K: 1.05		
	5000K: 1.07		

Calculated Delivered Lumens = Delivered Lumen Value x LED CRI x LED Color x Trim Finish

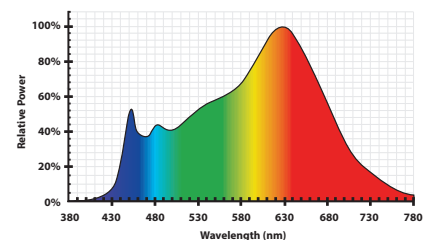
SPECTRAL POWER DISTRIBUTION



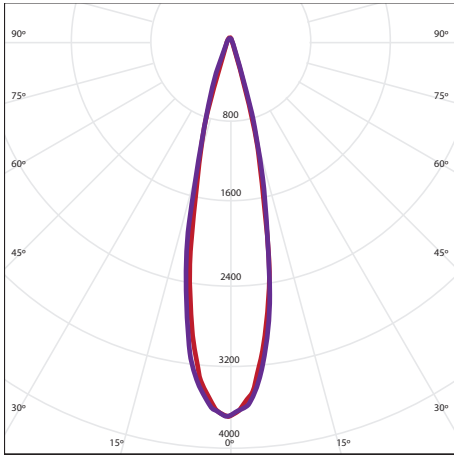
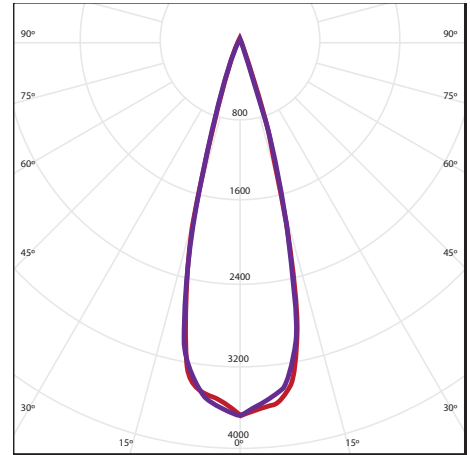
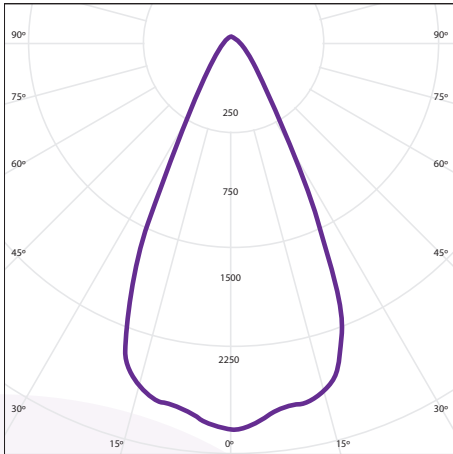
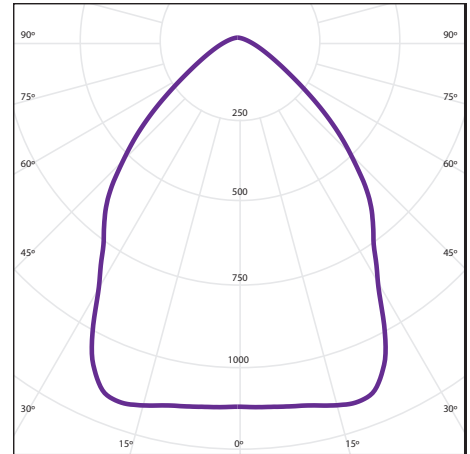
Standard LED 90+ CRI @ 3000K



SunLike LED 97 CRI @ 3000K



PerfectWhite LED 90+ CRI @ 3000K

BEAM DISTRIBUTION
BN - 25° Narrow

BM - 35° Medium

BW - 50° Wide

BXW - 90° Extra Wide


DIMMING

DIMMING COMPATIBILITY FOR -DIMA1 CODE

Opus® Rondo offers compatibility with both phase-cut (reverse-phase and forward-phase) and 0-10V dimmers. Forward-phase (TRIAC) and reverse-phase (ELV) dimming work only at 120Vac. Phase-cut dimming always has priority over 0-10V dimming. Each fixture requires 1mA for 0-10V dimming. Please consult dimmer datasheet for total 0-10V dimming current requirement to determine suitable number of fixtures per dimmer for best dimming results.

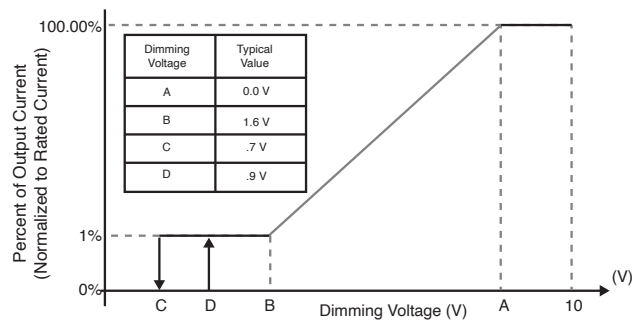
COMPATIBLE PHASE-CUT DIMMERS FOR -DIMA1 CODE

120Vac Dimmers					
Mfg.	Model	Mfg.	Model	Mfg.	Model
Lutron	S-603PG	Lutron	DVELV-303P	Lutron	CT-103P
Leviton	IPI06-1LZ	Lutron	SELV-300P	Cooper	SLC03P
Leviton	6631-2	Leviton	6683-IW	Leviton	IPE04
Lutron	DVCL-153P	Leviton	6161	Lutron	MAELV-600
Lutron	DV-600P	Leviton	6633-P	Lutron	FAELV-500
Lutron	TGCL-153P	Lutron	TG-600P	Lightolier	ZP260QEW
Lutron	S-600P	Cooper	DLC03P	Cooper	DAL06P
Leviton	VPE06	Lutron	LG-600P		

COMPATIBLE 0-10V DIMMERS FOR -DIMA1 CODE

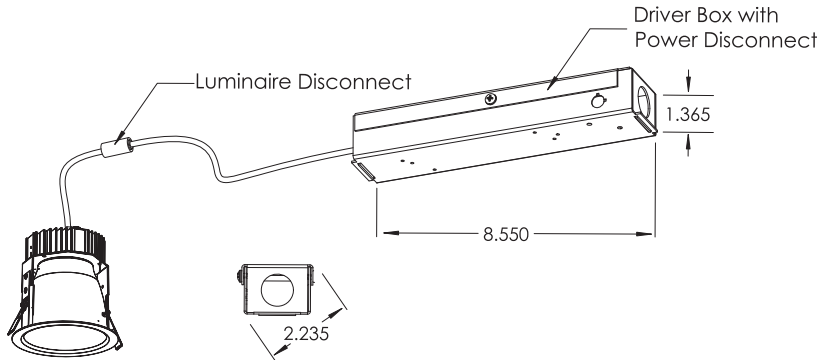
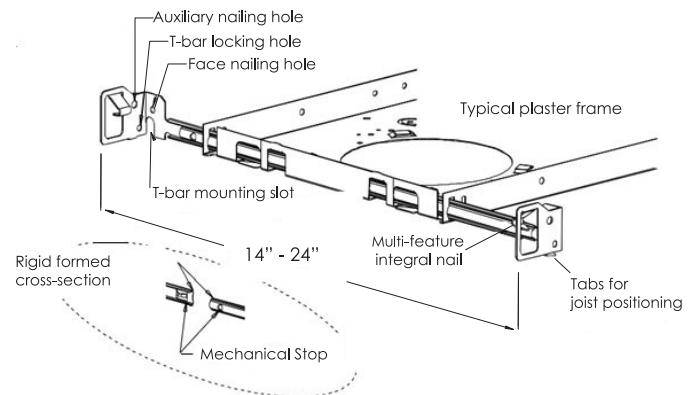
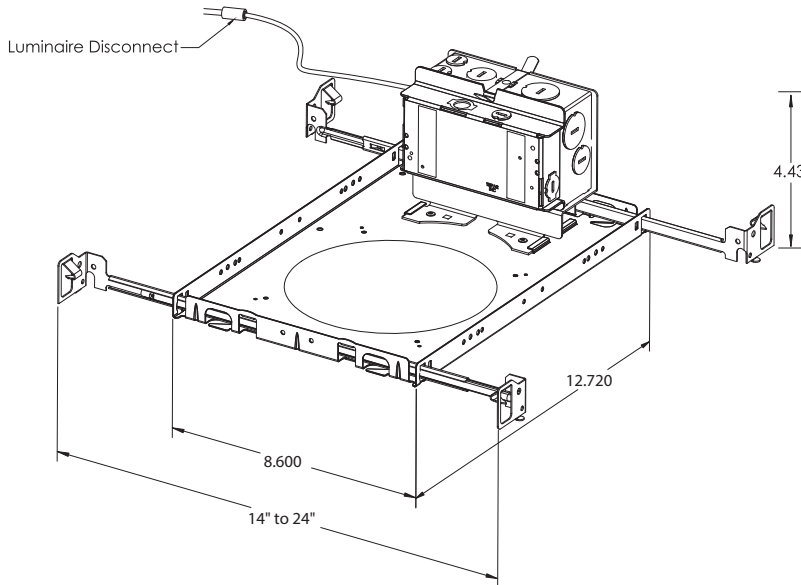
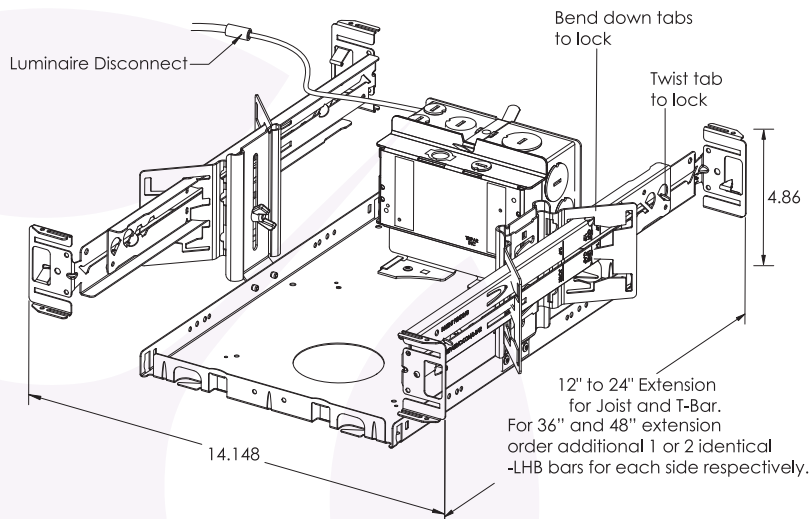
0-10V Dimmers		
Mfg.	Model	Part No.
Lutron	Nova series	NFTV
Leviton	IllumaTech series	IP710-DL
Lutron	Diva series	DVTV

0-10V DIM VOLTAGE REFERENCE FOR -DIMA1 CODE



MOUNTING
Remodeler Mounting (No Suffix)

Mounting dimensions shown are for -DIMA1, -10V, -10V1, up to 50W input power and -LUT1, -LUTZ1 up to 20W input power
 Larger remodeler driver box for higher wattages and other dimming options as well, not shown below.


HB Suffix Mounting

HBH Suffix Mounting


(IC)-EN Suffix Mounting

