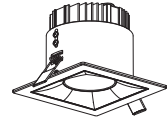
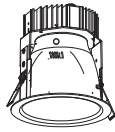
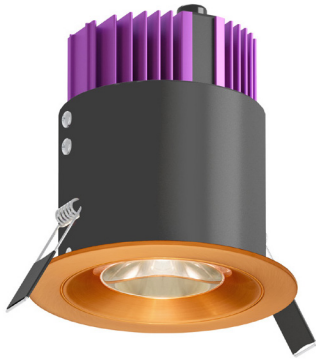


Installation Instruction for Models:



GB2-RD, GB3-RD, GB4-RD, GL2-RD, GL3-RD, GL4-RD, RB4-RD,
RB6-RD, RB8-RD, RB10-RD, SL2-RD, SL3-RD, SB2-RD, SB3-RD

The unit is fully assembled and does not require any additional parts except for connection to main power. Contact factory if any parts are loose or missing.

IMPORTANT SAFETY INSTRUCTIONS



DANGER – RISK OF SHOCK – DISCONNECT POWER BEFORE INSTALLATION



Read carefully before installing fixture. Retain these instructions for future reference.

This product must be installed in accordance with the applicable installation code by a person familiar with the construction and operation of the product and the hazards involved.

Consult a qualified electrician to ensure correct branch circuit conductor.

WARNING Risk of fire or electric shock. Luminaire wiring and electrical parts may be damaged when drilling for installation of LED retrofit kit. Check for enclosed wiring and components.

WARNING Risk of fire or electric shock. LED Retrofit Kit installation requires knowledge of luminaires electrical systems. If not qualified, do not attempt installation. Contact a qualified electrician.

WARNING Risk of fire or electric shock. Install this kit only in luminaires that have the construction features and dimensions shown in the photographs and/or drawings and where the input rating of the retrofit kit does not exceed the input rating of the luminaire. Do not make or alter any open holes in an enclosure of wiring or electrical components during kit installation.

WARNING To prevent wiring damage or abrasion, do not expose wiring to edges of sheet metal or other sharp objects.

NOTE Only install product with corresponding rating. Only install dry and damp rated fixtures in dry or damp locations. And only install wet location fixture in covered ceiling wet location.

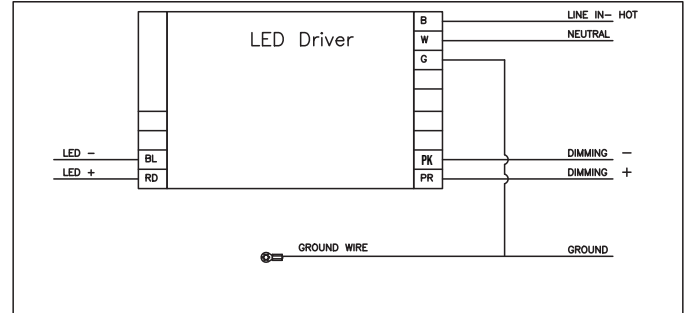
WIRING

Universal voltage driver permits operation at 120V through 277V, 50 or 60 Hz. 0-10V control wires must be rated for 300V minimum.

For 0-10V Dimming, follow the wiring directions shown below.

1. Connect the black fixture lead to the LINE supply lead.
2. Connect the white fixture lead to the COMMON supply lead.
3. Connect the GROUND wire from fixture to supply ground.
Do NOT connect the GROUND of the dimming fixture to the output.
4. Connect the purple fixture lead to the (V+) DIM lead.
5. Connect the pink fixture lead to the (V-) DIM lead.
6. Never connect fixture disconnect to driver while driver is powered.

Make a proper wiring connection to power. Follow all NEC and local codes.

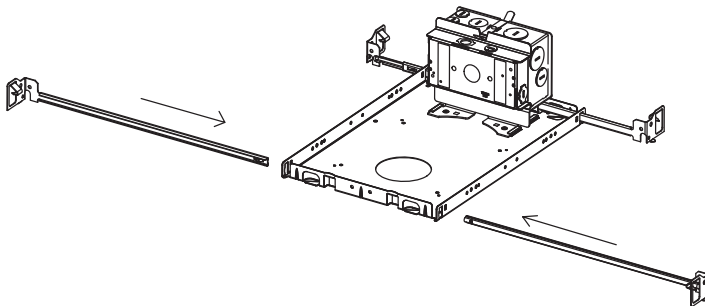


NC	-	NO CONNECTION
B	-	BLACK - HOT
W	-	WHITE - NEUTRAL
G	-	GREEN - GROUND
PK	-	PINK - 0-10V -
PR	-	PURPLE - 0-10V +
RD	-	RED - LED +
BL	-	BLUE - LED -

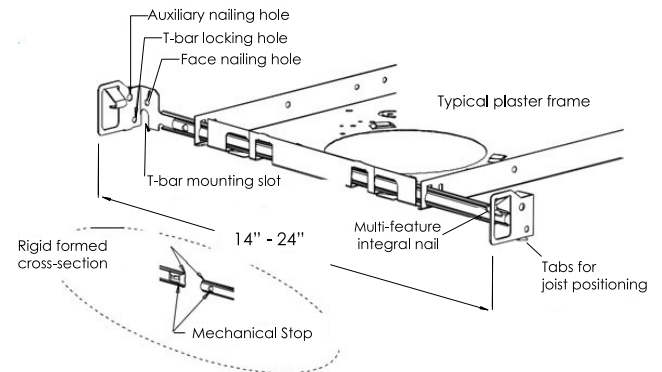
HB - Rough in Kit

INSTALLATION STEPS

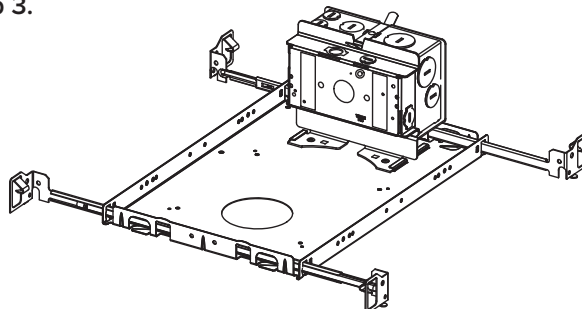
Step 1.



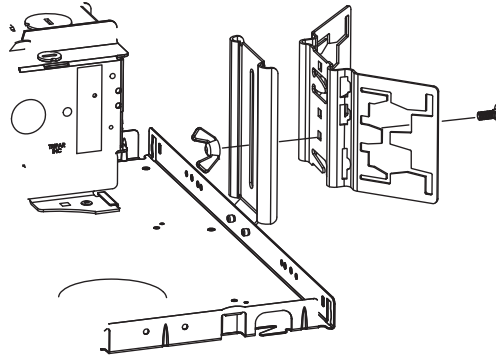
Step 2.



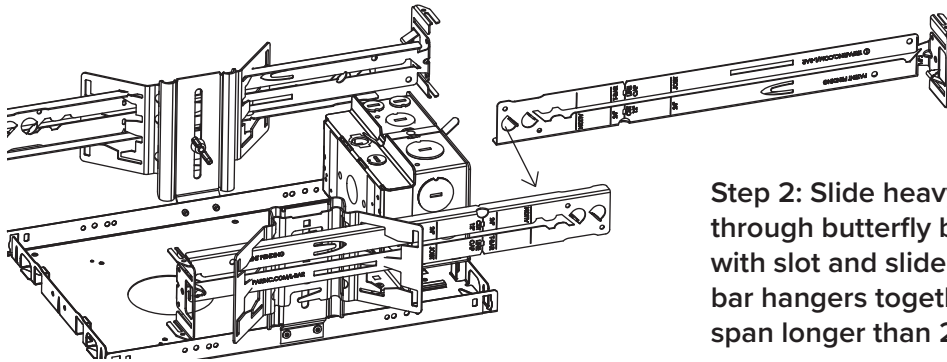
Step 3.



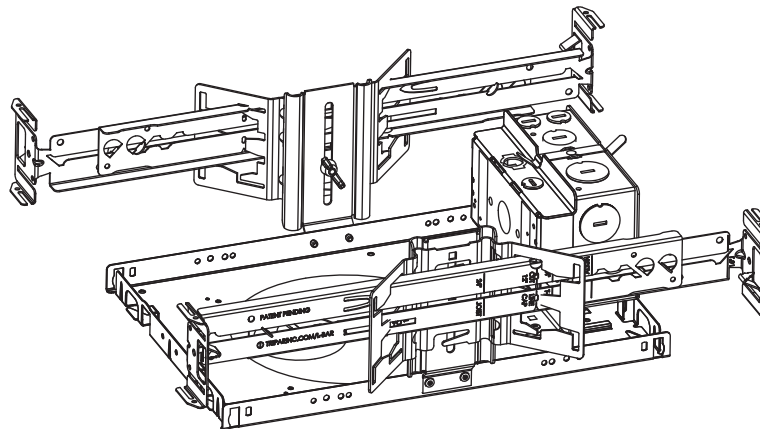
HB - Heavy Duty Rough in Kit



Step 1:
Attached Butterfly Bracket
using bolt and nut



Step 2: Slide heavy duty bar hanger through butterfly bracket. Align nub with slot and slide the two heavy duty bar hangers together. Contact factory if span longer than 24" is needed.



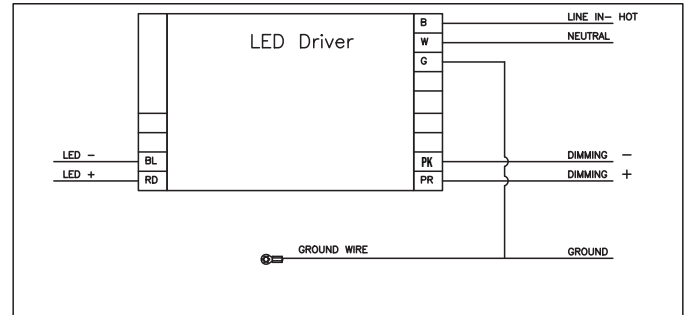
WIRING

Universal voltage driver permits operation at 120V through 277V, 50 or 60 Hz. 0-10V control wires must be rated for 300V minimum.

For 0-10V Dimming, follow the wiring directions shown below.

1. Connect the black fixture lead to the LINE supply lead.
2. Connect the white fixture lead to the COMMON supply lead.
3. Connect the GROUND wire from fixture to supply ground. Do NOT connect the GROUND of the dimming fixture to the output.
4. Connect the purple fixture lead to the (V+) DIM lead.
5. Connect the pink fixture lead to the (V-) DIM lead.

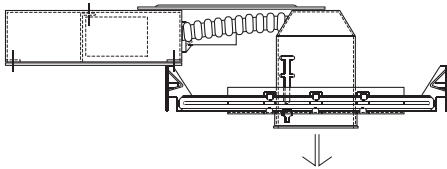
Make a proper wiring connection to power. Follow all NEC and local codes.



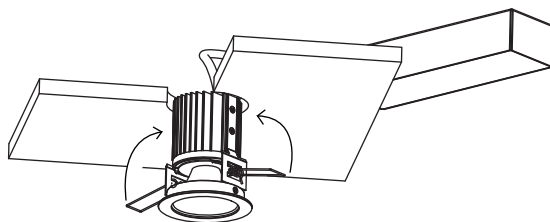
NC	-	NO CONNECTION
B	-	BLACK - HOT
W	-	WHITE - NEUTRAL
G	-	GREEN - GROUND
PK	-	PINK - 0-10V -
PR	-	PURPLE - 0-10V +
RD	-	RED - LED +
BL	-	BLUE - LED -

INSTALLATION STEPS

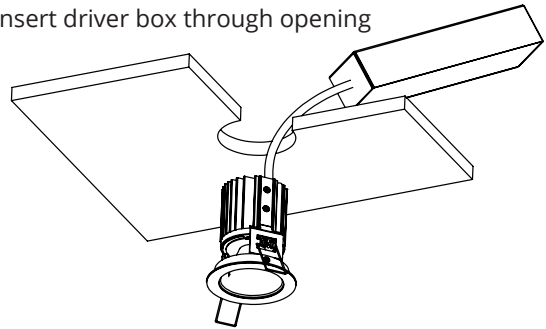
1. Turn OFF Power prior to any work during installation or maintenance. Allow luminaire or lamp to cool off before servicing.
2. Remove original reflector. Reflector may be secured in place with friction springs or a nut at top or side of reflector. Remove the fastener to freely remove reflector.
3. Disconnect power from original power supply and remove if possible.



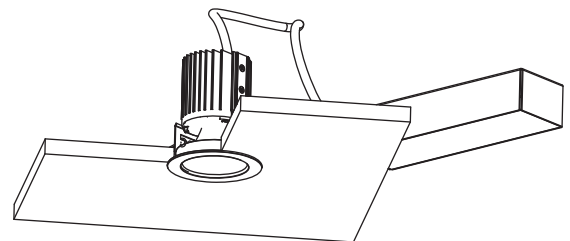
7. Compress two torsion springs towards heat sink and slide Gibson RF-GB02.



4. Make wiring connection to driver in the Junction Box of the Gibson RF-GBxx. DO NOT disconnect connection to LED. The LED is already prewired
5. Do not connect fixture to powered driver.
6. Close the driver box.
7. Insert driver box through opening



8. Springs will open above the ceiling securing the Gibson RF-GB02 safely in place.
9. turn ON power.

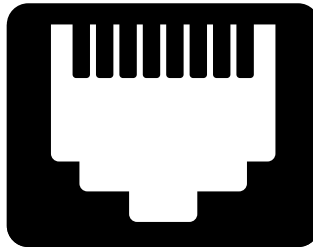


PERSONALITIES & CONNECTIONS FOR TW, RGB, RGBW, RGBWT + DMXZ1 (if applicable)

STD T568B

1 2 3 4 5 6 7 8

Pin 1: DMX+
Pin 2: DMX-
Pin 7&8: COM



RJ45 Pin	Function	RJ45 Color
7	COM	White / Brown
8	COM	Brown
2	Data -	Orange
1	Data +	White / Orange

*Above RJ45 color only applies to T568B standard, fixture is supplied with 2x RJ45 female connectors. Always use shielded CAT5e / CAT6 cable for connection. Last fixture in circuit requires 120 Ω terminator between Pins 1 and 2.

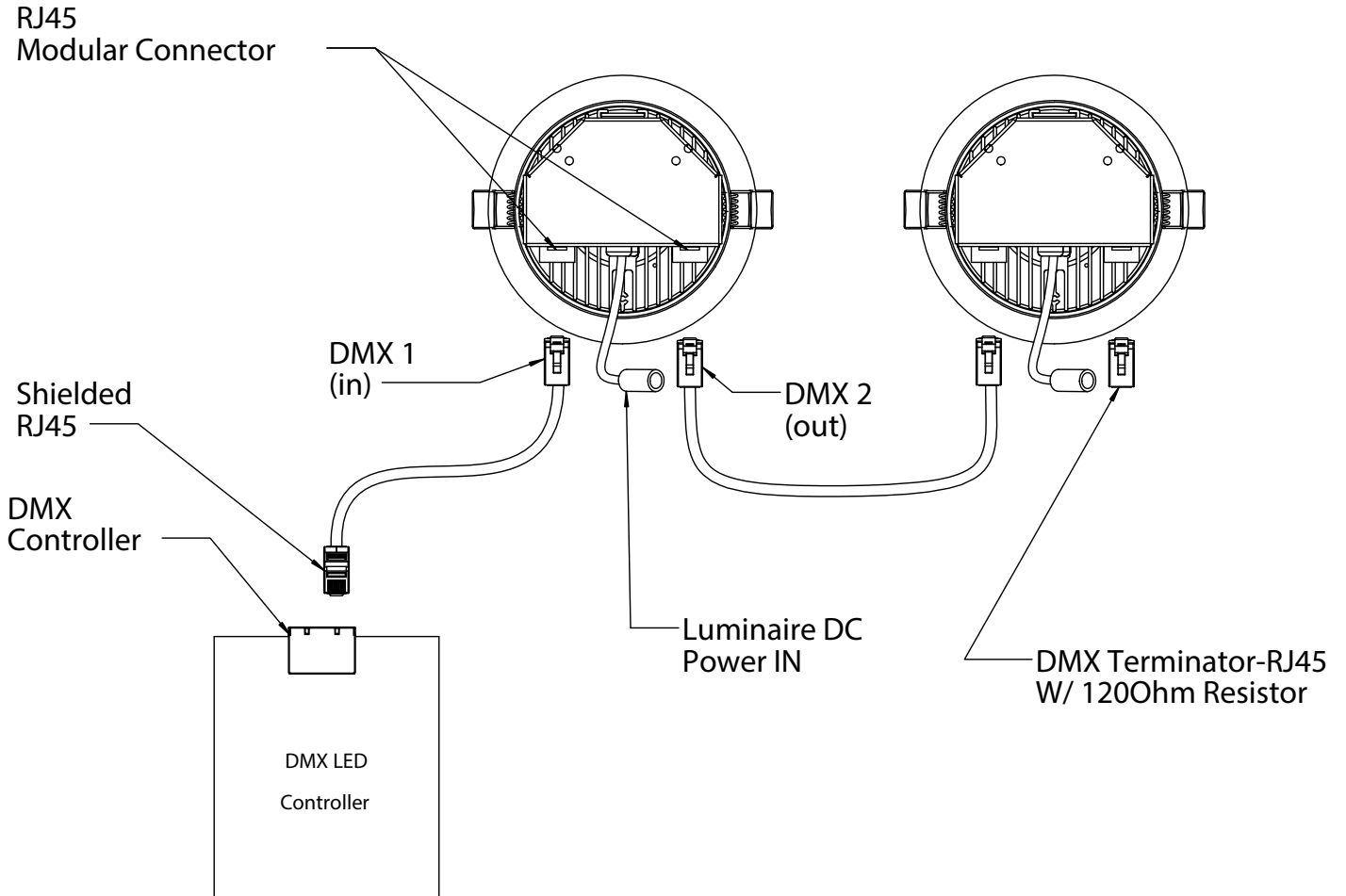
Personality #	Emission	DMX Address Assignment				
1	TW	INT	CCT	-	-	-
2	RGB	R	G	B	-	-
3	RGBW	R	G	B	W1	-
4	RGBWT	R	G	B	W1	W2
5	RGBWT	R	G	B	INT	CCT
6	RGBWT	INT	CCT	SAT	HUE	-

LEGEND									
Red	R	Green	G	Blue	B	White 1	W1	White 2	W2
Intensity Control	INT	CCT Control	CCT	Hue	Hue	Saturation	SAT		

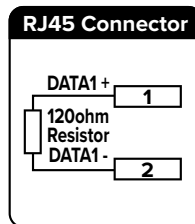
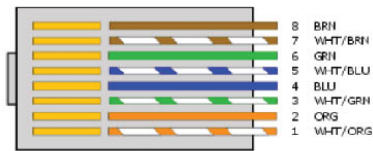
*Personality 6 is default from factory unless specified and / or depending on specified light engine. Personality number must requested at time of order if default not desired.

** Personalities are 8-bit default, 16-Bit available upon request at time of order





RJ-45 Connector Pin-Out (T568B)



PIN-OUT for RJ45 DMX connection

- 8- GND
- 7- GND
- 6- DATA 2-
- 5- N/C
- 4- N/C
- 3- DATA 2+
- 2- DMX/DATA 1-
- 1- DMX/DATA 1+

See link for more details for DMX Terminator